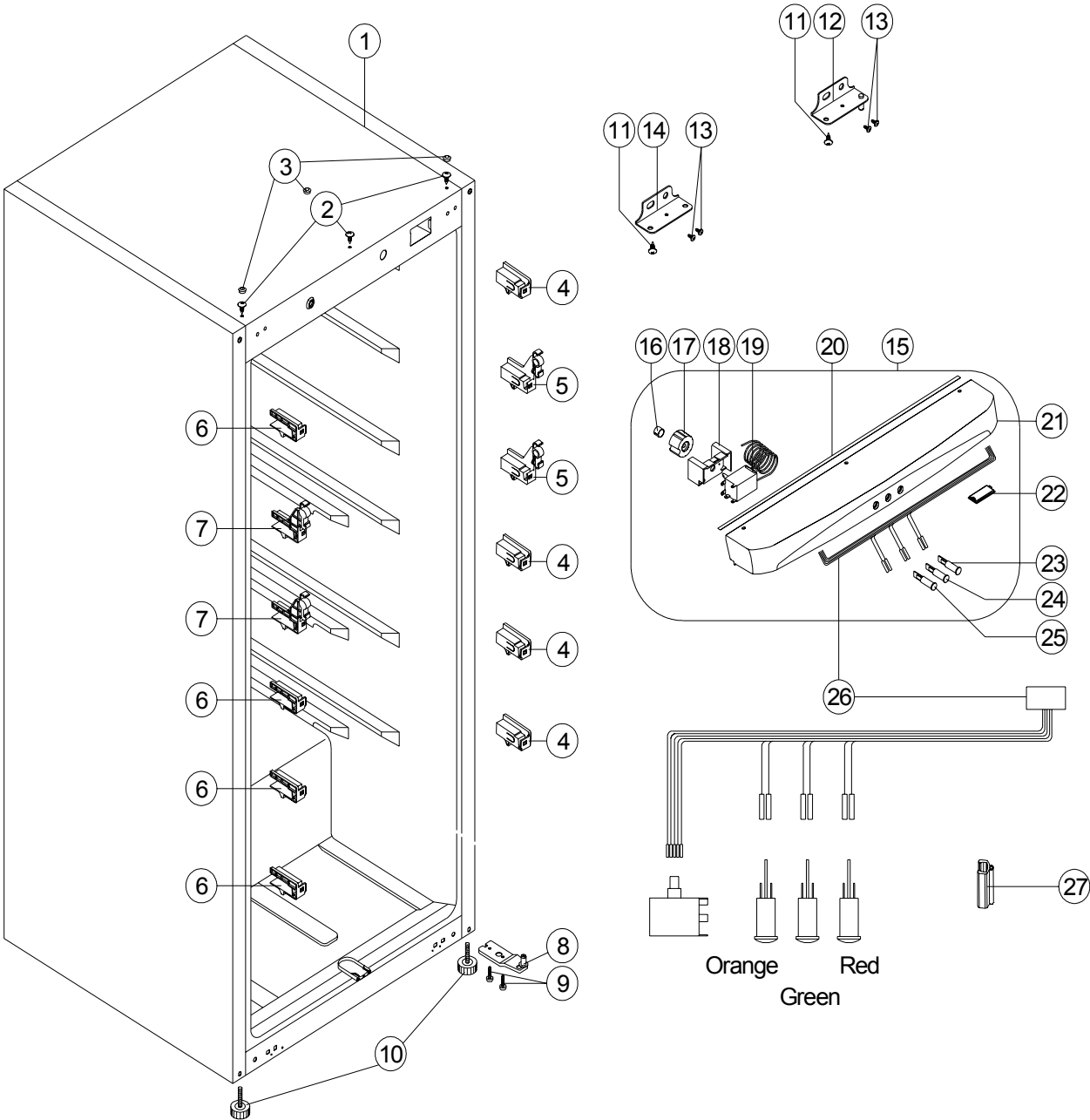


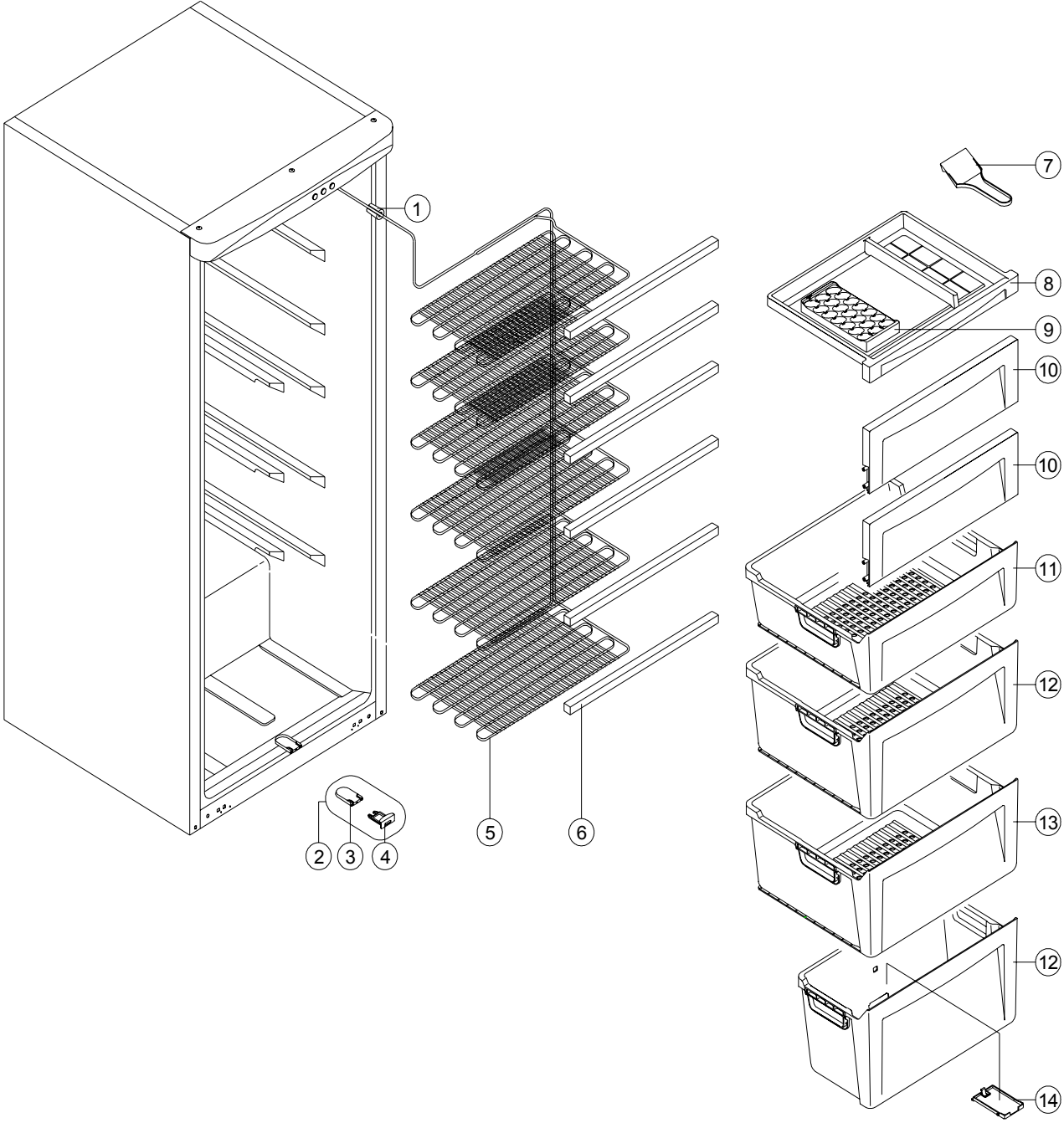
<b>VESTEL</b> WHITE GOODS	<b>VESTEL FREEZER</b>	<b>CUSTOMER</b> <b>SUPPORT</b>
	<b>INTERIOR PARTS</b>	



<b>VESTEL WHITE GOODS</b>	<b>VESTEL FREEZER</b>	<b>CUSTOMER SUPPORT</b>
	<b>INTERIOR PARTS LIST</b>	

<b>NO</b>	<b>PART NAME</b>
1	ASSY URT CAB
2	SCREW 4.2*9.5 DIN 7981 YSB
3	PLUG D10
4	F EVAP SUPPORT RIGHT/360
5	F COVER SUPPORT RIGHT/360
6	F EVAP SUPPORT LEFT/360
7	F COVER SUPPORT LEFT/360
8	BOTTOM HINGE/140
9	SCREW M5*14 WN 1342-H EJOT
10	STATIONARY FOOT
11	SCREW 4.2*13 DIN 7981 YHB
12	TOP HINGE/260 (WITH PIN)
13	SCREW M5*14 WN 1342-H EJOT
14	TOP HINGE/260 (WITHOUT PIN)
15	HEAD PANEL GR
16	SPRING
17	THERMOSTAT KNOB
18	THERMOSTAT HOLDER
19	THERMOSTAT
20	HEAD PANEL SEAL
21	HEAD PANEL
22	HEAD PANEL CAP
23	INDICATOR LAMP (RED)
24	INDICATOR LAMP (GREEN)
25	INDICATOR LAMP (ORANGE)
26	WIRING HARNESS THERMOSTAT
27	THERMO CAPI BRACKET

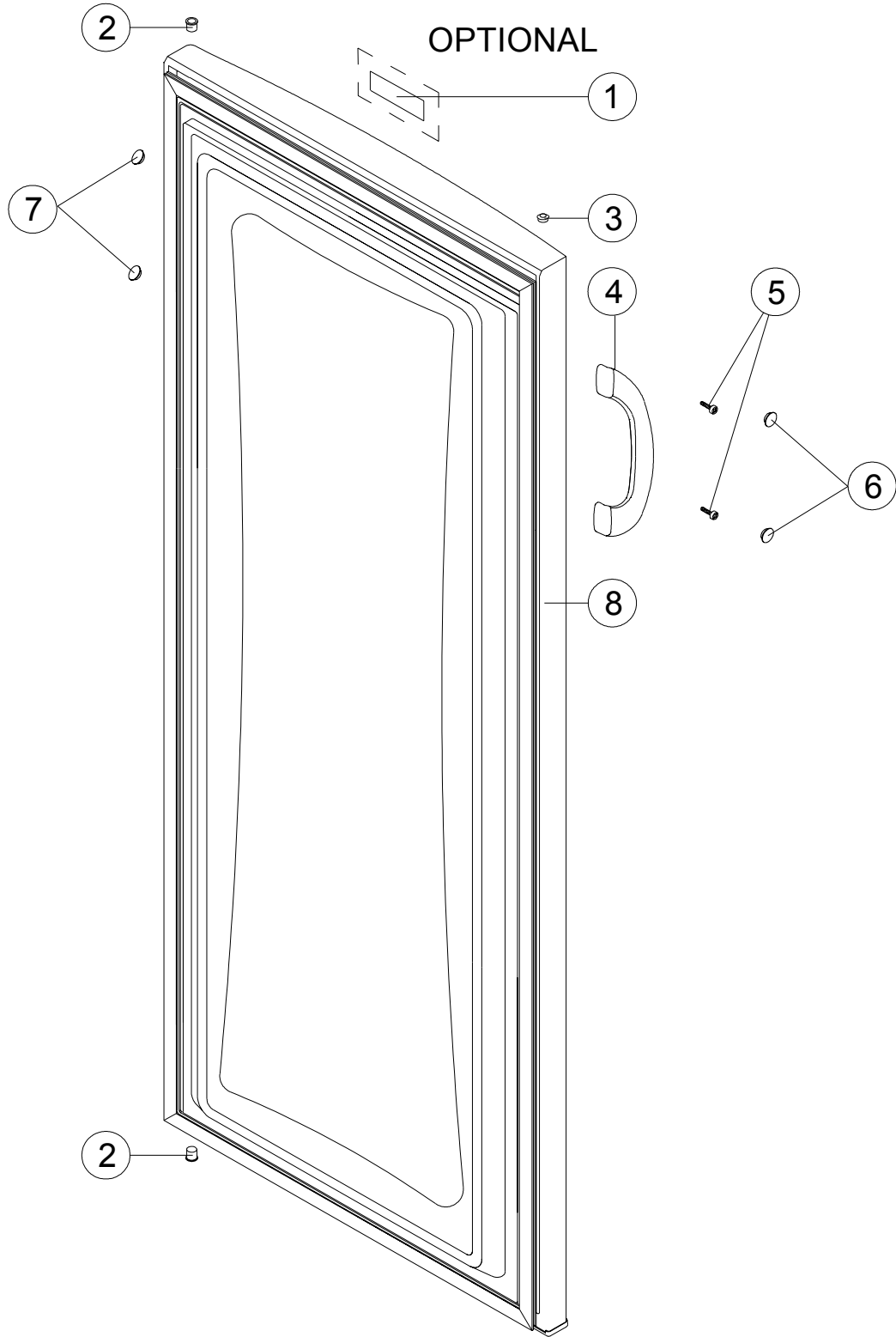
<b>VESTEL</b> WHITE GOODS	<b>VESTEL FREEZER</b>	<b>CUSTOMER</b> <b>SUPPORT</b>
	<b>ACCESSORY PARTS</b>	



<b>VESTEL WHITE GOODS</b>	<b>VESTEL FREEZER</b>	<b>CUSTOMER SUPPORT</b>
	<b>ACCESSORY PARTS LIST</b>	

<b>NO</b>	<b>PART NAME</b>
1	ANTIVIBRATION
2	F DRAIN GR/360
3	F DRAIN HOLDER/360
4	F DRAIN/360
5	F EVAPORATOR ASSY/245
6	F EVAP TRIM/145
7	ICE SCRAPER
8	GRIP TRAY ICE/145
9	ICE TRAY
10	F COVER/145
11	MIDDLE BASKET/145
12	MIDDLE BASKET/245
13	BOTTOM BASKET/145
14	BASKET F DRAIN/360

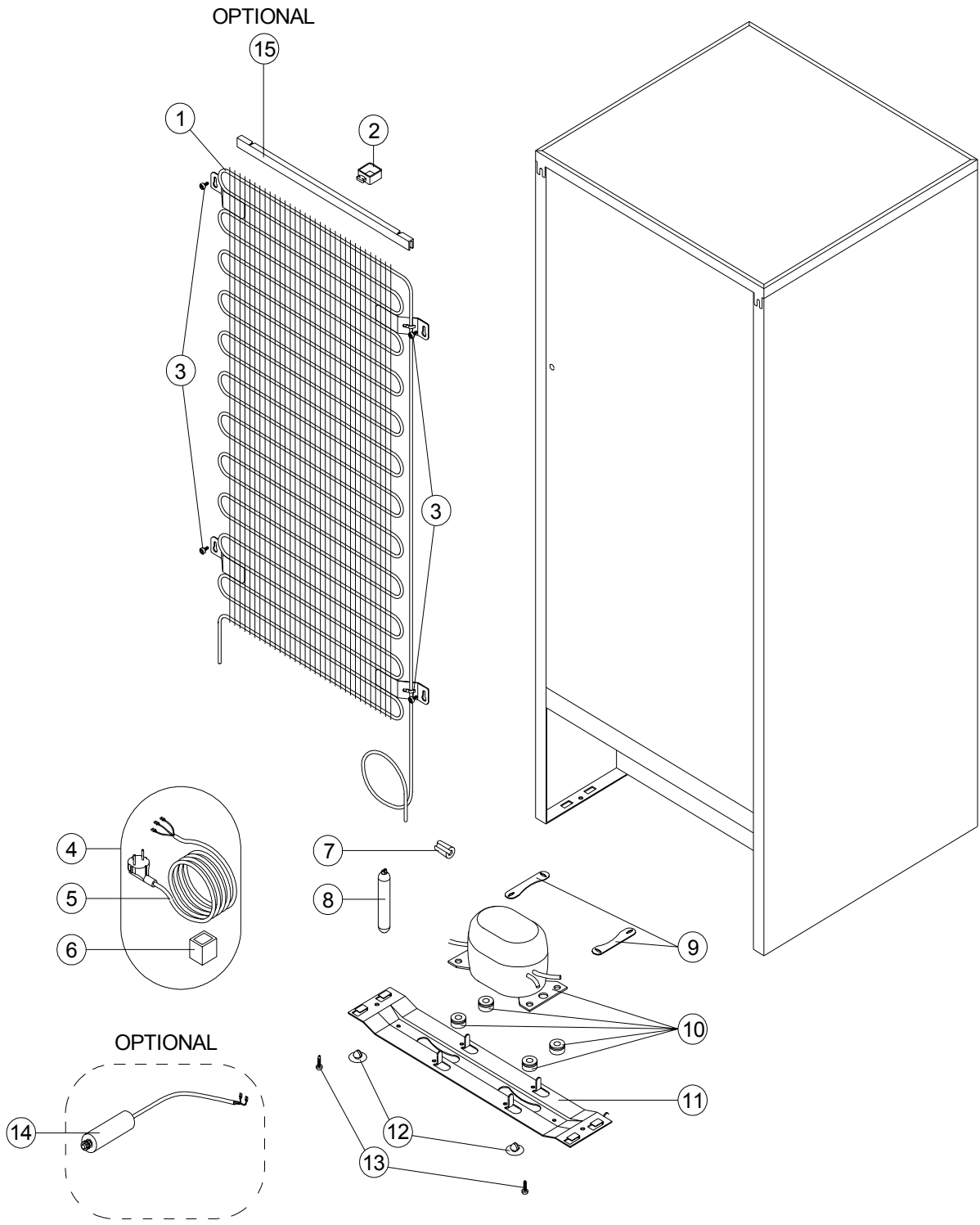
<b>VESTEL</b> WHITE GOODS	<b>VESTEL FREEZER</b>	<b>CUSTOMER</b> <b>SUPPORT</b>
	<b>DOOR ASSY. PARTS</b>	



<b>VESTEL WHITE GOODS</b>	<b>VESTEL FREEZER</b>	<b>CUSTOMER SUPPORT</b>
	<b>DOOR ASSY. PARTS LIST</b>	

<b>NO</b>	<b>PART NAME</b>
1	LOGO (OPTIONAL)
2	BUSHING/345
3	BUSHING CAP
4	HANDLE CLASSIC (USE FOR CLASSIC DOOR DESIGN)
5	SCREW M4*13 BN30-12-110 YSB PFL-BETZER (USE FOR CLASSIC DOOR DESIGN)
6	PLUG D10 (USE FOR CLASSIC DOOR DESIGN)
7	CAP SMALL (USE FOR CLASSIC DOOR DESIGN)
8	ASSY.DOOR/245

<b>VESTEL</b> WHITE GOODS	<b>VESTEL FREEZER</b>	<b>CUSTOMER</b> <b>SUPPORT</b>
	<b>UNIT PARTS</b>	



<b>VESTEL</b> <b>WHITE GOODS</b>	<b>VESTEL FREEZER</b>	<b>CUSTOMER</b> <b>SUPPORT</b>
	<b>UNIT PARTS LIST</b>	

<b>NO</b>	<b>PART NAME</b>
1	MAIN CONDANSER/260
2	SPACER
3	SCREW 4.2*9.5 WITH WASHER
4	POWER CORD GROUP
5	POWER CORD
6	OVER LOAD RELAY
7	ANTIVIBRATION
8	DRYER (XH9,10GR)
9	COMPRESSOR FIXING BRACKET
10	COMPRESSOR
11	COMPRESSOR BASEMENT/140
12	COMPRESSOR BASEMENT FOOT
13	SCREW M5*14 WN 1342-H EJOT
14	CAPACITOR (OPTIONAL)
15	CONDENSER TRIM (OPTIONAL)