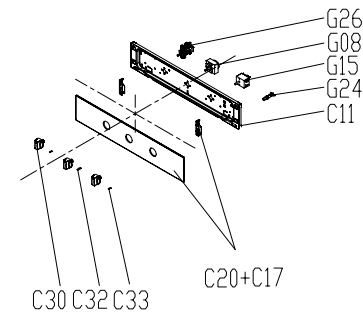
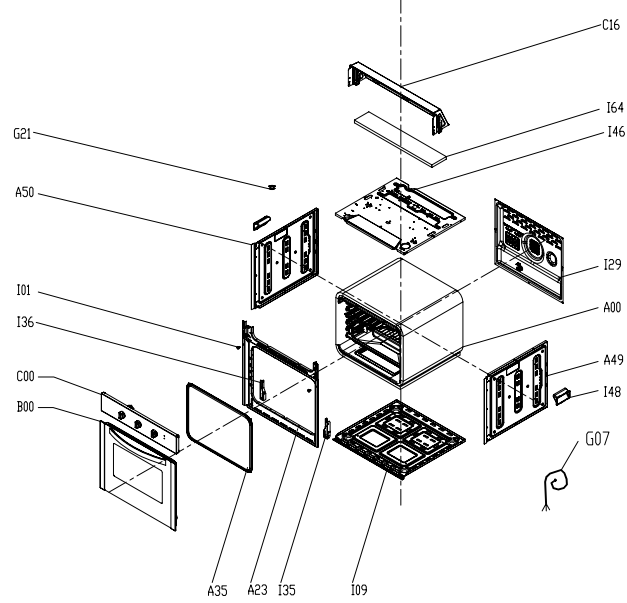


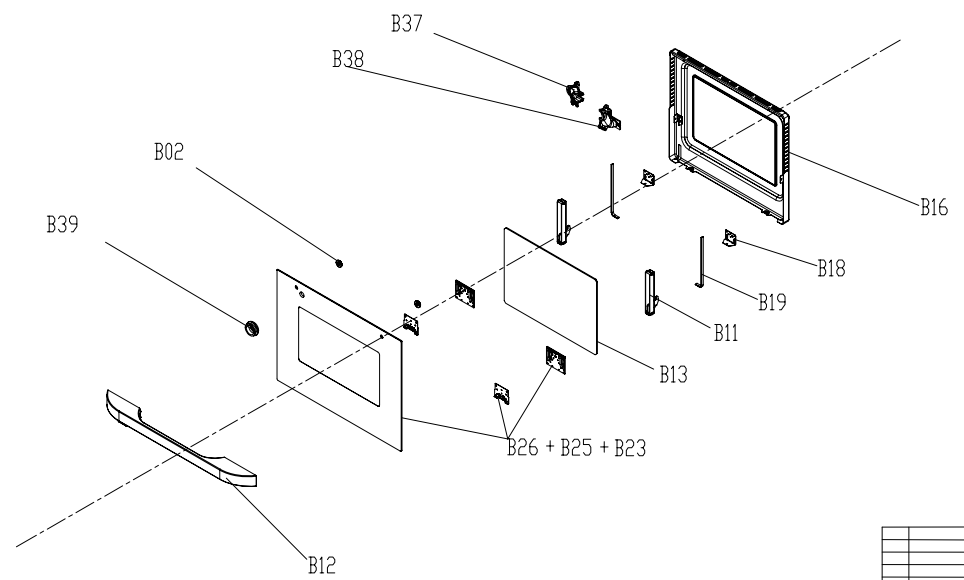
No.	名称	Name	QTY	备注
A15	烤箱门	boiler (w/door)	1	
A61	金属发热板(上)	metal heating element(top)	1	
A12	烤箱	boiler rack	1	
I19	隔热板(上)	insulation cover	1	
I26	隔热板(后)	back insulation	1	
A32	隔热板(前)	Cavity insulation	1	
A30	隔热板	cavity	1	
A53	下部发热罩组件	under heating element cover	1	
G10	灯罩	lamp	1	
				腔体零件 cavity ass'y
				A00



No.	名称	Name	QTY	备注
C20	控制板玻璃	control panel glass	1	assemble together
C17	控制板支架	control panel bracket	2	通用零件
G26	特殊开关	switch on-off	1	
G08	按钮	button	1	
G24	指示灯	indicator	1	
C11	控制板底座	control panel holder	1	
G15	能量控制器	energy controller	1	
C33	旋钮零件	knob sharpnet	2	
C32	旋钮零件	knob sharpnet	1	
C30	旋钮	knob	3	
				控制板零件 control panel ass'y
				C00



No.	名称	Name	QTY	备注
G07	电源线	power cord	1	
B00	门框	door ass'y	1	
C00	门框玻璃	control panel ass'y	1	
I36	隔热板(左)	insulation Left	1	
I01	隔热板(右)	insulation Right	1	
A50	门框	enclose Left	1	
I09	门框	enclose Right	1	
I35	隔热板	insulation top	1	
A23	门框	insulation top	1	
A35	门框	control panel cover	1	
I64	门框	top cover	1	
I46	门框	back cover	1	
A00	门框	cavity ass'y	1	
A49	门框	enclose Right	1	
I48	门框	handle ass'y	1	
I09	门框	insulation	1	
I35	门框	insulation Right	1	
A23	门框	front plate	1	
A35	门框	cavity sealing ring	1	
				门框零件 door ass'y
				B00



No.	名称	Name	QTY	备注
B39	排气罩密封圈	exhaust pipe sealing ring	1	
B38	排气罩	exhaust pipe B	1	
B37	排气罩	exhaust pipe A	1	
B02	把手支撑	handle support	2	
B16	门框	door frame ass'y	1	
B13	门框玻璃	door inner glass	1	
B18	门框加强圈	door strength bracket	2	
B19	门框密封条	door sealing ring	2	
B11	门框铰链	door hinge ass'y	2	
B25	门框玻璃	door frame insulate	2	assemble together
B26	门框玻璃	door outer glass	1	通用零件
B23	门框支架	door frame bracket	2	
B12	门把手	door handle	1	
				门框零件 door ass'y
				B00