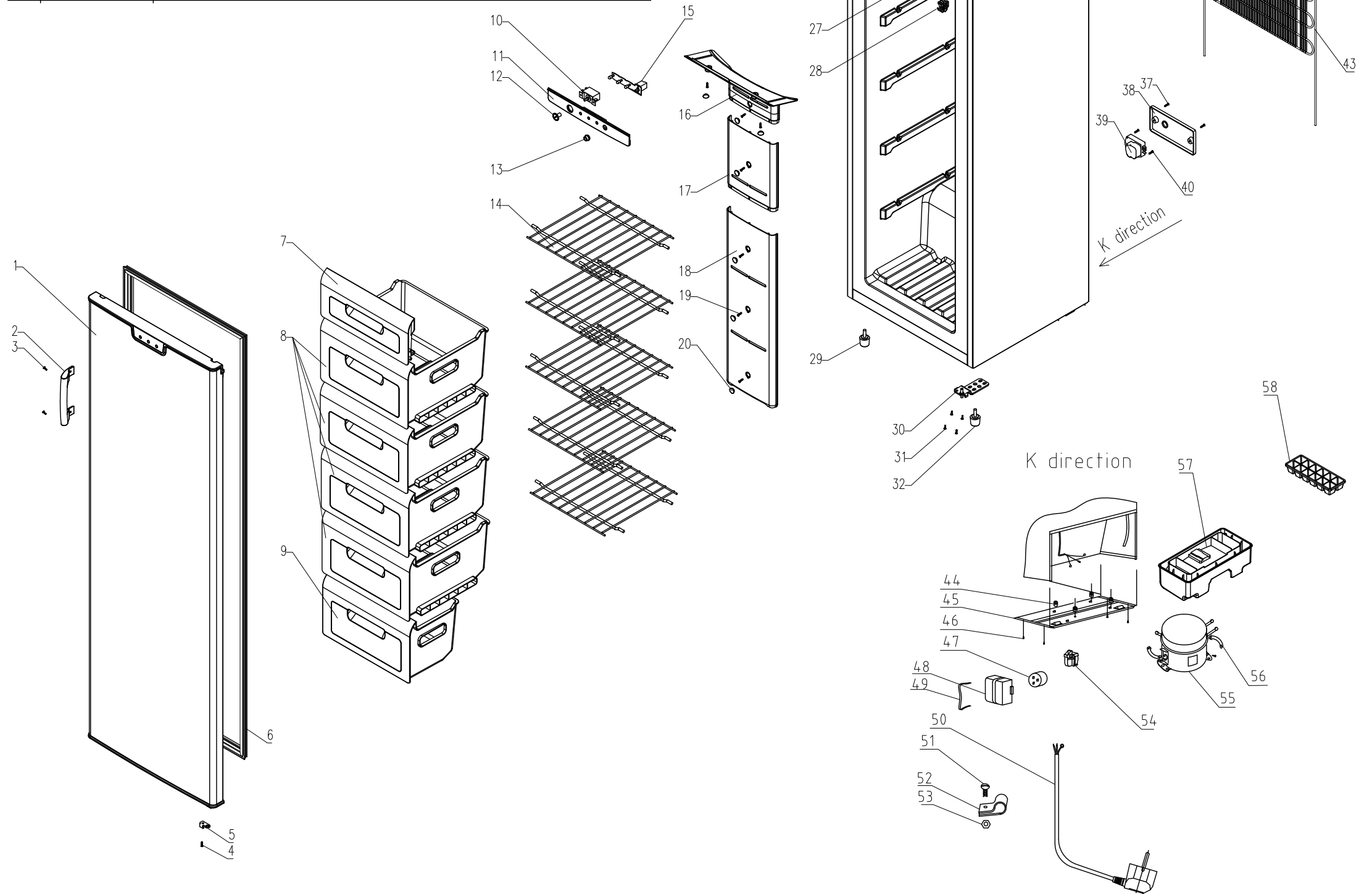
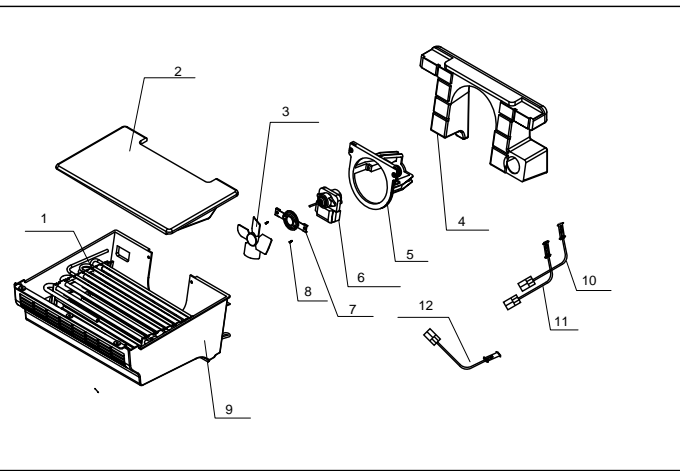


BD-156FW Exploded View

| NO. | Description | QTY |
|-----|-----------------------------|-----|
| 1 | Evaporator with heater | 1 |
| 2 | Freezer air duct 1 | 1 |
| 3 | Fan blade | 1 |
| 4 | Freezer air duct II | 1 |
| 5 | Motor Holder | 1 |
| 6 | Mortor with damping cushion | 1 |
| 7 | Motor bracket | 1 |
| 8 | screws | 2 |
| 9 | Freezer air duct | 1 |
| 10 | fuse 1 | 1 |
| 11 | fuse 2 | 1 |
| 12 | sensor thermostat | 1 |



| No. | Item | Material | Qty. |
|-----|------------------------|----------|------|
| 1 | Freezer door Assm. | 冷冻门体 | 1 |
| 2 | Handle | 把手 | 1 |
| 3 | Bolt | 螺栓 | 2 |
| 4 | Screw | 螺钉 | 1 |
| 5 | Door stopper | 门限位块 | 1 |
| 6 | Gasket | 门封组件 | 1 |
| 7 | Flap | 翻盖 | 1 |
| 8 | Drawer | 抽屉 | 4 |
| 9 | Lower drawer | 下抽屉 | 1 |
| 10 | Thermostat | 温控器 | 1 |
| 11 | Display panel | 显示面板 | 1 |
| 12 | Thermostat knob | 温控按钮 | 1 |
| 13 | F.F. button | 速冻按钮 | 1 |
| 14 | Wire shelf | 钢丝搁架 | 5 |
| 15 | Display board Assm. | 显示灯组件 | 1 |
| 16 | Scaleboard of air duct | 风道盖板 | 1 |
| 17 | Upper air duct | 上风道 | 1 |
| 18 | Lower air duct | 下风道 | 1 |
| 19 | Screw | 钢丝扳柱 | 10 |
| 20 | Screw cover | 螺钉盖帽 | 7 |
| 21 | Top cover | 顶盖卡子 | 2 |
| 22 | Top | 顶盖 | 1 |
| 23 | Top clip | 顶盖卡片 | 1 |
| 24 | Case | 箱体 | 1 |
| 25 | Freezer air duct Assm. | 冷冻风道组件 | 1 |
| 26 | Left clip of flap | 左固定卡 | 1 |
| 27 | Thermostat cover | 温控盒盖 | 1 |
| 28 | Right clip of flap | 右固定卡 | 1 |
| 29 | Adjustable foot | 可调底脚 | 1 |
| 30 | Lower hinge | 下铰链组件 | 1 |
| 31 | Bolt | 螺栓 | 4 |
| 32 | Adjustable foot | 可调底脚 | 1 |
| 33 | Screw cover | 螺钉盖帽 | 2 |
| 34 | Screw | 螺钉 | 4 |
| 35 | Bolt | 螺栓 | 3 |
| 36 | Top hinge | 上铰链 | 1 |
| 37 | Screw | 螺钉 | 2 |
| 38 | Timer cover | 定时器盒盖 | 1 |
| 39 | Defrost timer | 化霜定时器 | 1 |
| 40 | Screw | 螺钉 | 2 |
| 41 | Condenser clip | 冷凝器固定卡 | 4 |
| 42 | Screw | 螺钉 | 4 |
| 43 | Condenser | 冷凝器 | 1 |
| 44 | Latex mat | 橡胶垫 | 4 |
| 45 | Soleplate | 压缩机底板 | 1 |
| 46 | Tapping screws | 压缩机底板螺钉 | 4 |
| 47 | PTC-Relay | 启动器 | 1 |
| 48 | Safety relay cover | 罩壳 | 1 |
| 49 | Nip of cover | 卡簧 | 1 |
| 50 | Power cable | 电源线 | 1 |
| 51 | Screw | 自攻螺钉 | 1 |
| 52 | Clamp | 线夹 | 1 |
| 53 | Nut | 螺母 | 1 |
| 54 | Overload Protector | 过载保护器 | 1 |
| 55 | Compressor Assm. | 压缩机组件 | 1 |
| 56 | Fastness nip | 底板固定卡 | 2 |
| 57 | Drip tray | 接水盘 | 1 |
| 58 | Ice box | 制冰盒 | 1 |