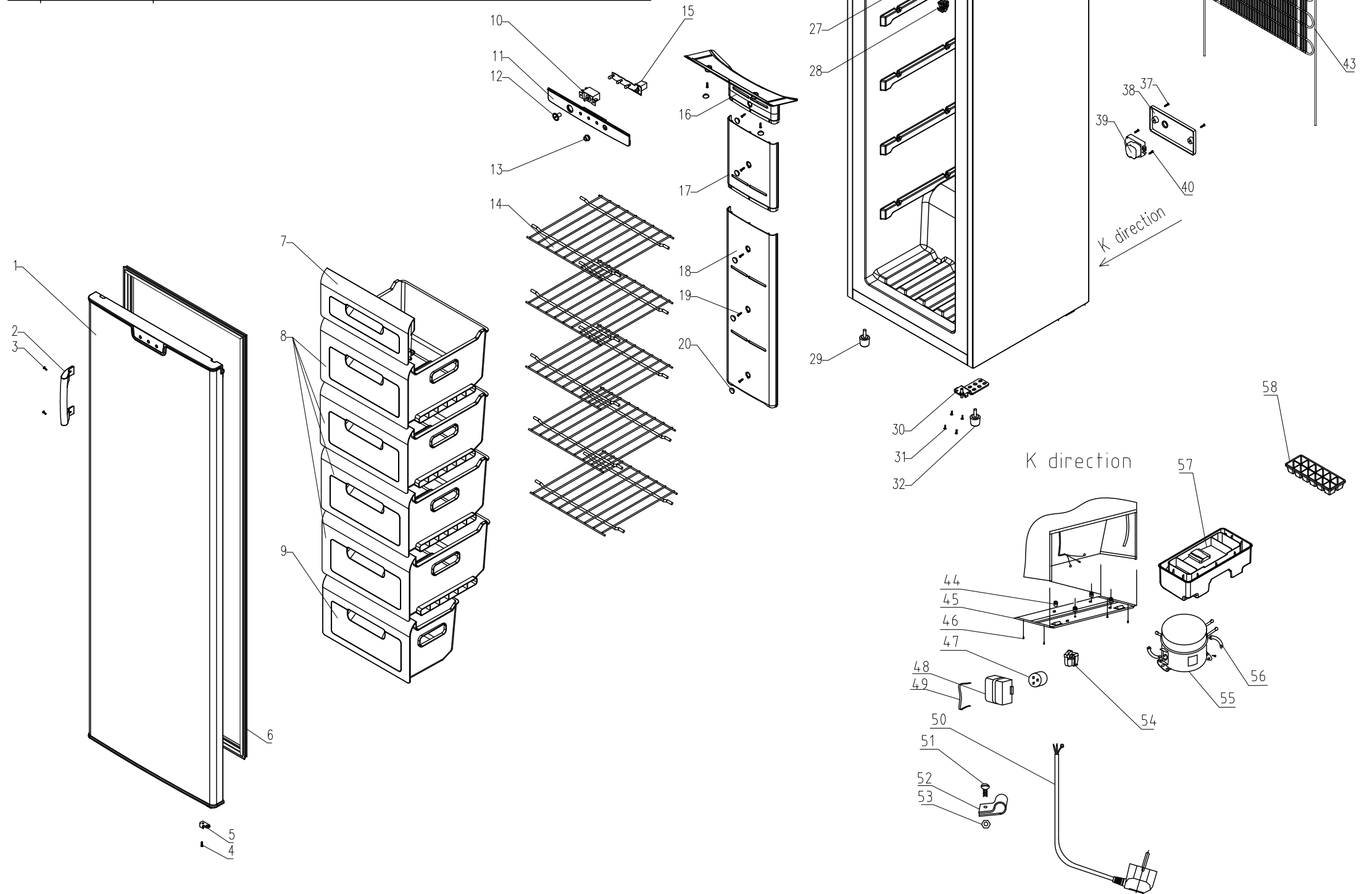
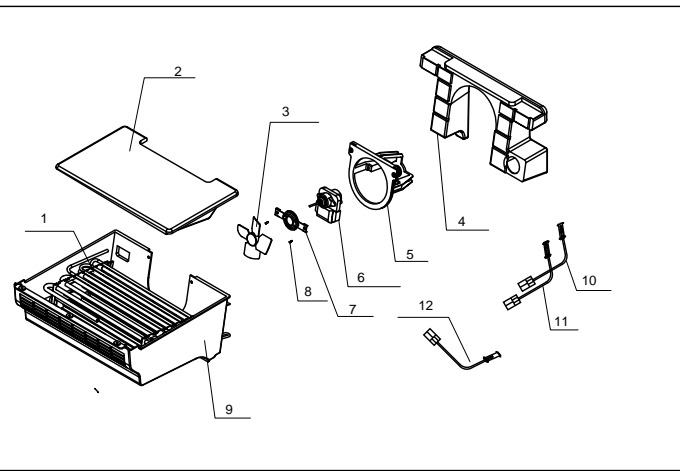


BD-188W Exploded View

NO.	Description	QTY
1	Evaporator with heater	1
2	Freezer air duct 1	1
3	Fan blade	1
4	Freezer air duct II	1
5	Motor Holder	1
6	Mortor with damping cushion	1
7	Motor bracket	1
8	screws	2
9	Freezer air duct	1
10	fuse 1	1
11	fuse 2	1
12	sensor thermostat	1



No.	Item	Material	Qty.
1	Freezer door Assm.	冷冻门体	1
2	Handle	把手	1
3	Bolt	螺栓	2
4	Screw	螺钉	1
5	Door stopper	门限位块	1
6	Gasket	门封组件	1
7	Flap	翻盖	1
8	Drawer	抽屉	4
9	Lower drawer	下抽屉	1
10	Thermostat	温控器	1
11	Display panel	显示面板	1
12	Thermostat knob	温控按钮	1
13	F.F. button	速冻按钮	1
14	Wire shelf	钢丝搁架	5
15	Display board Assm.	显示灯组件	1
16	Scaleboard of air duct	风道盖板	1
17	Upper air duct	上风道	1
18	Lower air duct	下风道	1
19	Screw	钢丝扳柱	10
20	Screw cover	螺钉盖帽	7
21	Top cover	顶盖卡子	2
22	Top	顶盖	1
23	Top clip	顶盖卡片	1
24	Case	箱体	1
25	Freezer air duct Assm.	冷冻风道组件	1
26	Left clip of flap	左固定卡	1
27	Thermostat cover	温控盒盖	1
28	Right clip of flap	右固定卡	1
29	Adjustable foot	可调底脚	1
30	Lower hinge	下铰链组件	1
31	Bolt	螺栓	4
32	Adjustable foot	可调底脚	1
33	Screw cover	螺钉盖帽	2
34	Screw	螺钉	4
35	Bolt	螺栓	3
36	Top hinge	上铰链	1
37	Screw	螺钉	2
38	Timer cover	定时器盒盖	1
39	Defrost timer	化霜定时器	1
40	Screw	螺钉	2
41	Condenser clip	冷凝器固定卡	4
42	Screw	螺钉	4
43	Condenser	冷凝器	1
44	Latex mat	橡胶垫	4
45	Soleplate	压缩机底板	1
46	Tapping screws	压缩机底板螺钉	4
47	PTC-Relay	启动器	1
48	Safety relay cover	罩壳	1
49	Nip of cover	卡簧	1
50	Power cable	电源线	1
51	Screw	自攻螺钉	1
52	Clamp	线夹	1
53	Nut	螺母	1
54	Overload Protector	过载保护器	1
55	Compressor Assm.	压缩机组件	1
56	Fastness nip	底板固定卡	2
57	Drip tray	接水盘	1
58	Ice box	制冰盒	1