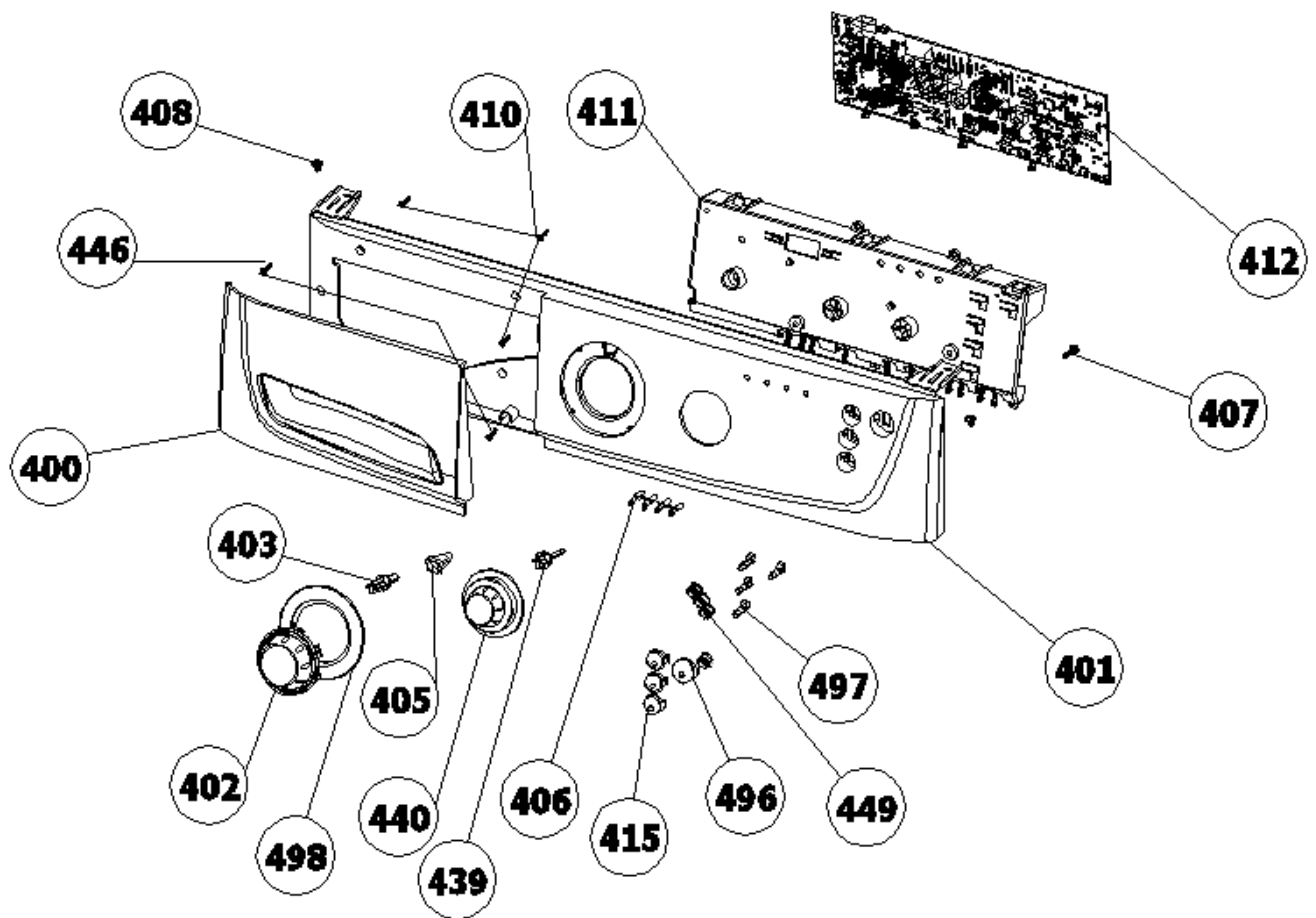


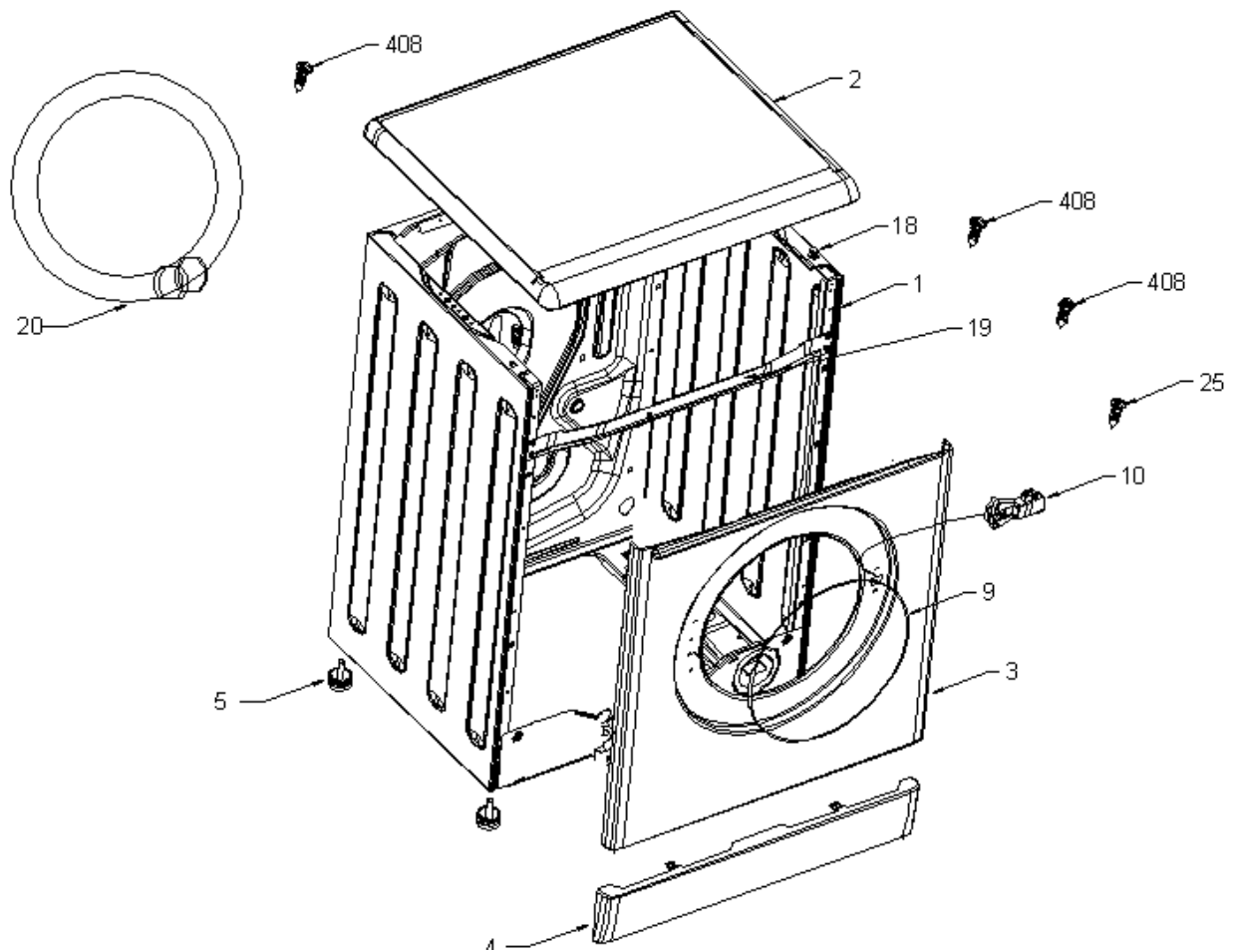
CONTROL PANEL PARTS



NO	PART NAME	QUANTITY
400	DETERGENT DRAWER COVER	1
401	CONTROL PANEL	1
402	PROGRAMME ADJUSDMENT KNOB	1
440	REVOLUTION/TEMPERATURE ADJUSTMENT KNOB	1
415	SELECTION BUTTON	3
403	BUTTON SHAFT(PROGRAMME)	1
439	BUTTON SHAFT(REVOLUTION)	1
406	LIGHT CARRIER FOUR WAY	1
405	PROG.ADJUST.KNOB LIGHT CARRIER	1
411	MAIN BOARD BOX	1
412	ELECTRONIC CARD(MAIN BOARD)	1
498	PROG. ADJUST KNOB.RING SRGF	1
497	START-SELECT. BUTTON LIGHT CARRIER	4
496	START-PAUSE BUTTON	1
407	SCREW PT 3,5*9	2
408	SCREW ST 4,2*9,5 TS 432	1
410	SCREW PT 4*14	1
446	SCREW ST 4,2*13 TS 432	1
449	BUTTON SPRING	4
500	CONTROL PANEL GROUP	1

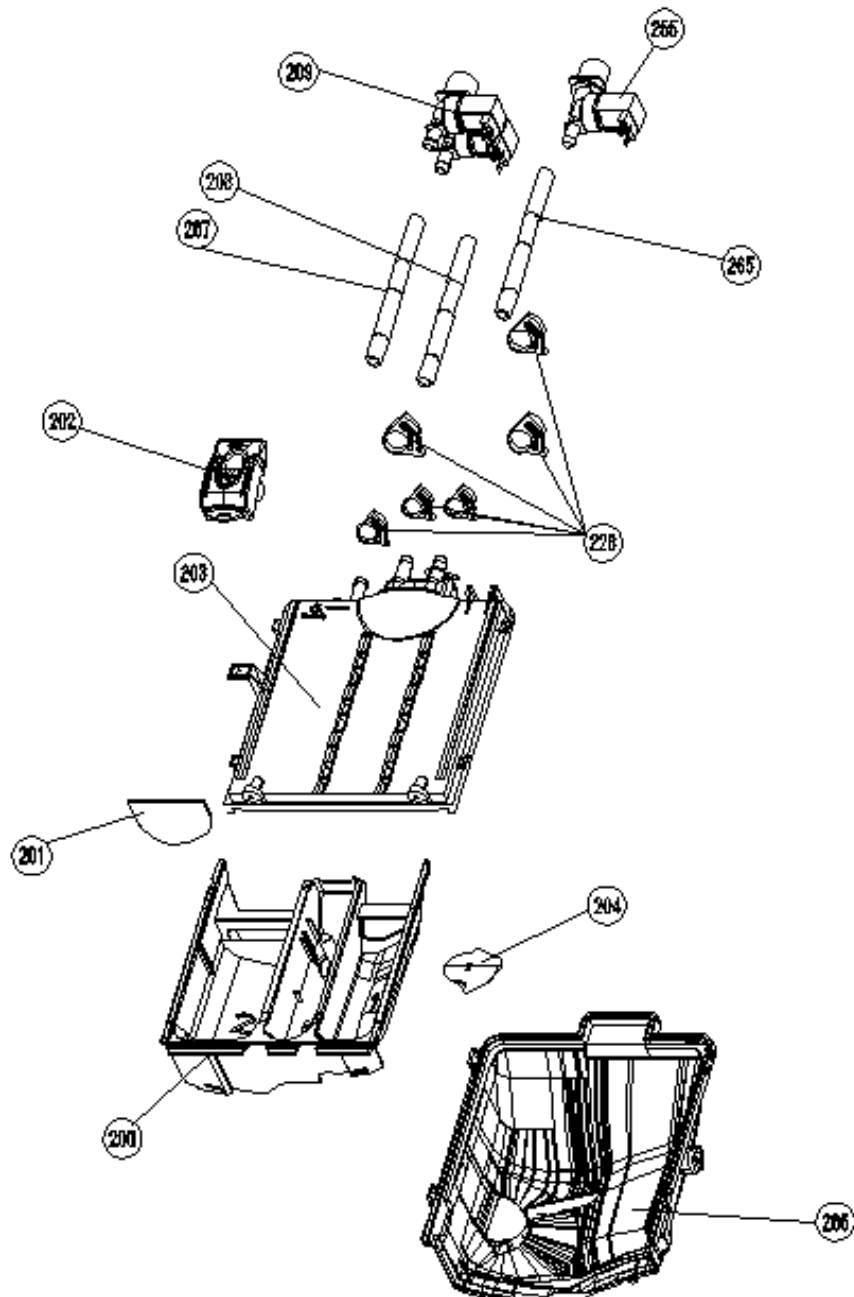
400-401-402-440-439-406-405-411-408-13-449-448--- CONTROL PANEL GROUP

FRONT PANEL PARTS



NO	PART NAME	QUANTITY
1	BODY GROUP PAINTED	1
2	UPPER TRAY GROUP	1
3	FRONT PANEL GROUP PAINTED	1
4	PLASTIC KICKPLATE	1
5	ADJUSTABLE FOOT GROUP	4
9	HOUSING FRAME BELLOW CLIP	1
10	DOOR LOCK	1
18	UPPER TRAY DROP PLASTIC	2
19	MIDDLE SUPPORT BRACKET GROUP	1
20	WATER ENTRY HOSE GROUP	1
408	SCREW ST 4,2*9,5 TS 432	2
408	SCREW ST 4,2*9,5 TS 432	4
25	SCREW ST 4,2*16 TS 432	5
408	SCREW ST 4,2*9,5 TS 432	2

DETERGENT DRAWER GROUP



255-265-DOUBLE WATER INLET IN MACHINES

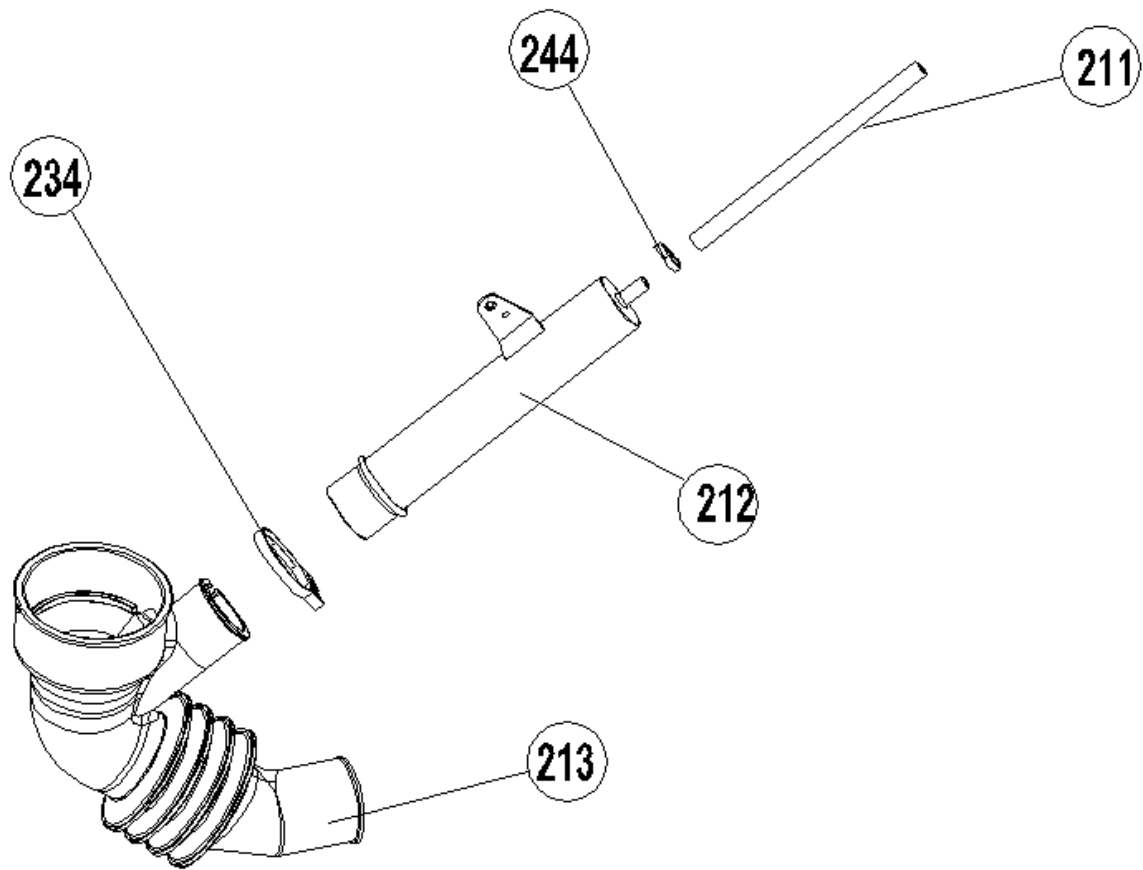
NO	PART NAME	
203	WATER DISTRIBUTION PLATE GROUP	1
205	DETERGENT DRAWER HOUSING	1
200	DETERGENT DRAWER	1
202	SIPHON COVER	1
204	STEAM CONSERVATIVE	1
228	HOSE HANDCUFFS	6
207	VALVE-DETERGENT BOX HOSE	1
208	VALVE-DETERGENT BOX HOSE	1
265	VALVE-DETERGENT BOX HOSE	1
209	VALVE(TWO EXIT)	1
255	VALVE(ONE EXIT)	1
201	LIQUID DETERGENT LEVEL PLATE	1
270	DETERGENT BOX GROUP	1
275	DETERGENT BOX GROUP/HOSE	1
280	DETERGENT BOX GROUP/FULL	1

203-205-200-202-204-201..... DETERGENT BOX GROUP

203-205-200-202-204-201-228-207-208..... DETERGENT BOX GROUP/HOSE

203-205-200-202-204-201-228-207-208-209..... DETERGENT BOX GROUP/FULL

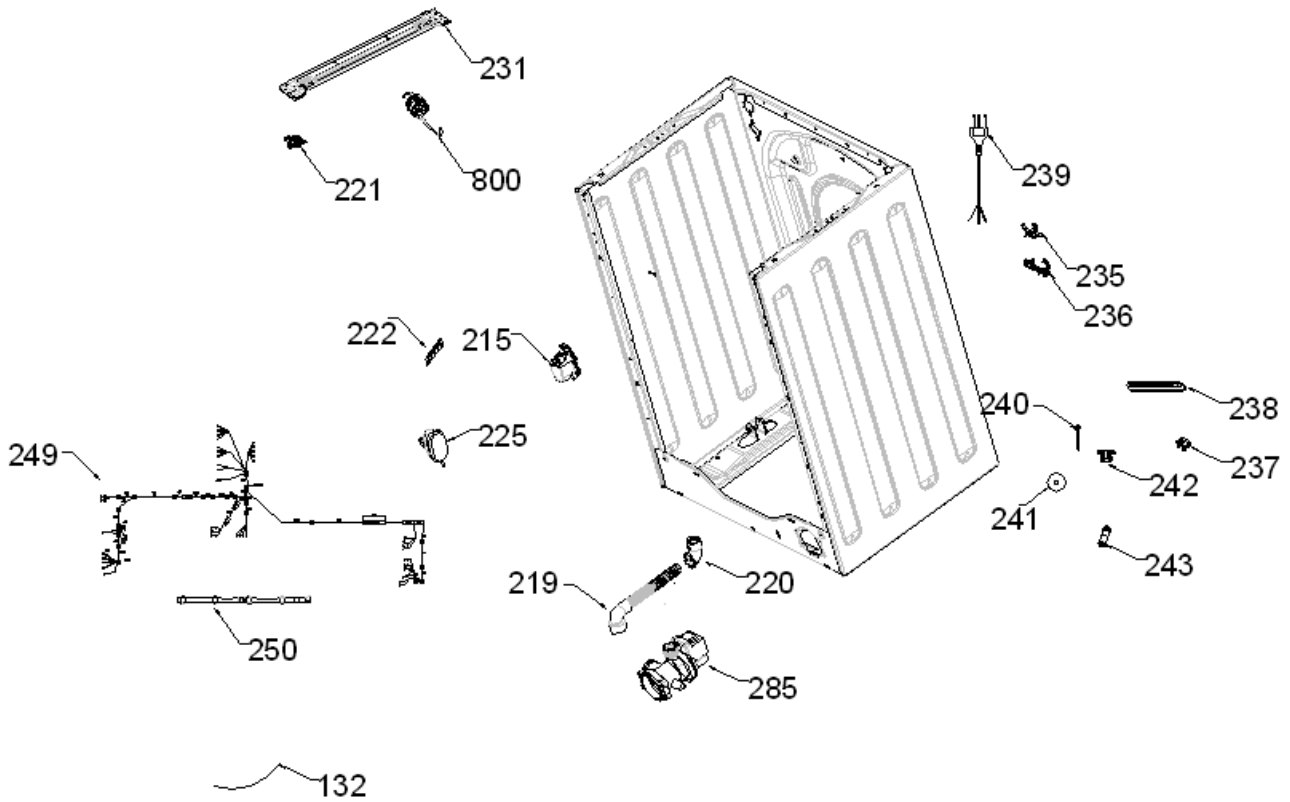
PRESSURE SWITCH HOSE GROUP



NO	PART NAME	
213	TUB EXIT WITH BELLOW HOSE	1
212	PRESSURE SWITCH WATER RESERVOIR	1
211	PRESSURE SWITCH HOSE	1
234	HOSE HANDCUFFS	1
244	HOSE HANDCUFFS	1
295	PRESSURE SWITCH HOSE GROUP	1

213-212-211-234-244----- PRESSURE SWITCH HOSE GROUP

BODY GROUP PARTS

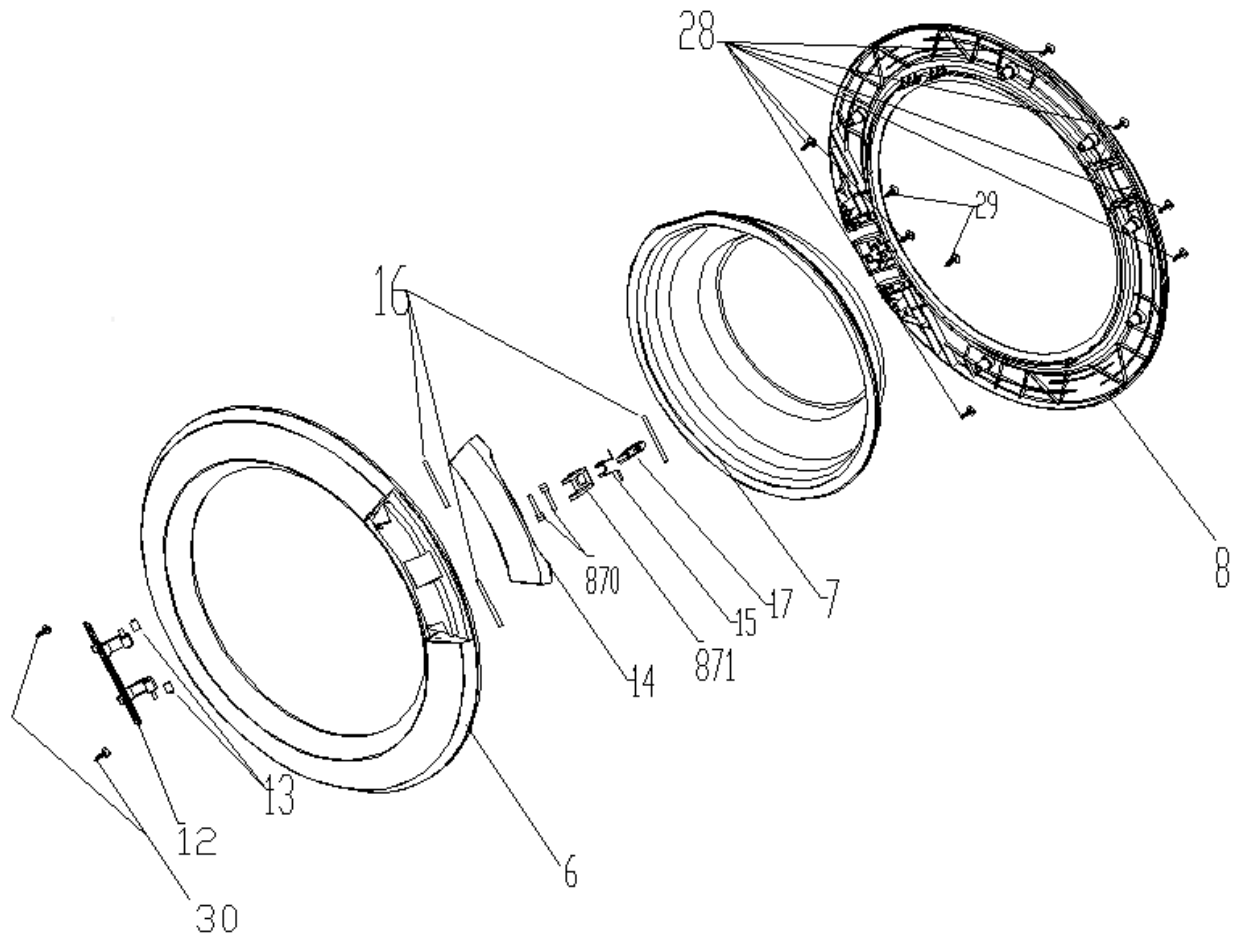


NO	PART NAME	QUANTITY
285	PUMP GROUP	1
220	DRAIN HOSE BODY EXIT PLS	1
219	DRAIN HOSE	1
225	PRESSURE SWITCH	1
215	PARASITE FILTER	1
249	CABLE HARNESS	1
250	CABLE PORTER PLS	1
800	HANGER SPRING	2
221	HANGER SPRING PLS.	2
236	DRAIN HOSE AND CABLE HOLDING PLS.	2
235	DRAIN HOSE HOLDING PLS	2
239	POWER CORD GROUP	1
222	PRESSURE SWITCH CARRIER	1
238	SPEED CONTROL HOLE STOPPER	1
296	CABLE GROUP	1
132	TUB EARTH CABLE	1
242	TRANSPORT SCREW RUBBER PART	4
243	TRANSPORT SCREW PLASTIC PART	4
240	TRANSPORT SCREW	4
241	WASHER 8,5*36*2	4
231	SPRING HANGER SHEETIRON	1
237	TRANSPORT SCREW STOPPER	5
290	TRANSPORT SCREW GROUP	4

240-241-242-243..... TRANSPORT SCREW GROUP

249-250-222-10..... CABLE GROUP

DOOR GROUP



NO	PART NAME	
30	SCREW TT M4*8	2
12	HINGE	1
13	HINGE BUSHING	2
6	DOOR OUTSIDE PLASTIC	1
16	DOOR HANDLE TONGUE PIM	3
14	HANDLE	1
870	DOOR MECHANIZM L PART	2
871	DOOR HOOK HOUSING	1
15	HANDLE SPRING	1
17	DOOR LOCK TONGUE	1
7	DOOR GLASS	1
8	DOOR INSIDE PLASTIC	1
28	SCREW ST 3,5*16	7
29	SCREW PT 3,5*12	2
50	DOOR GROUP	1

12-13-6-16-14-870-871-15-17-7-8-28-29-----DOOR GROUP