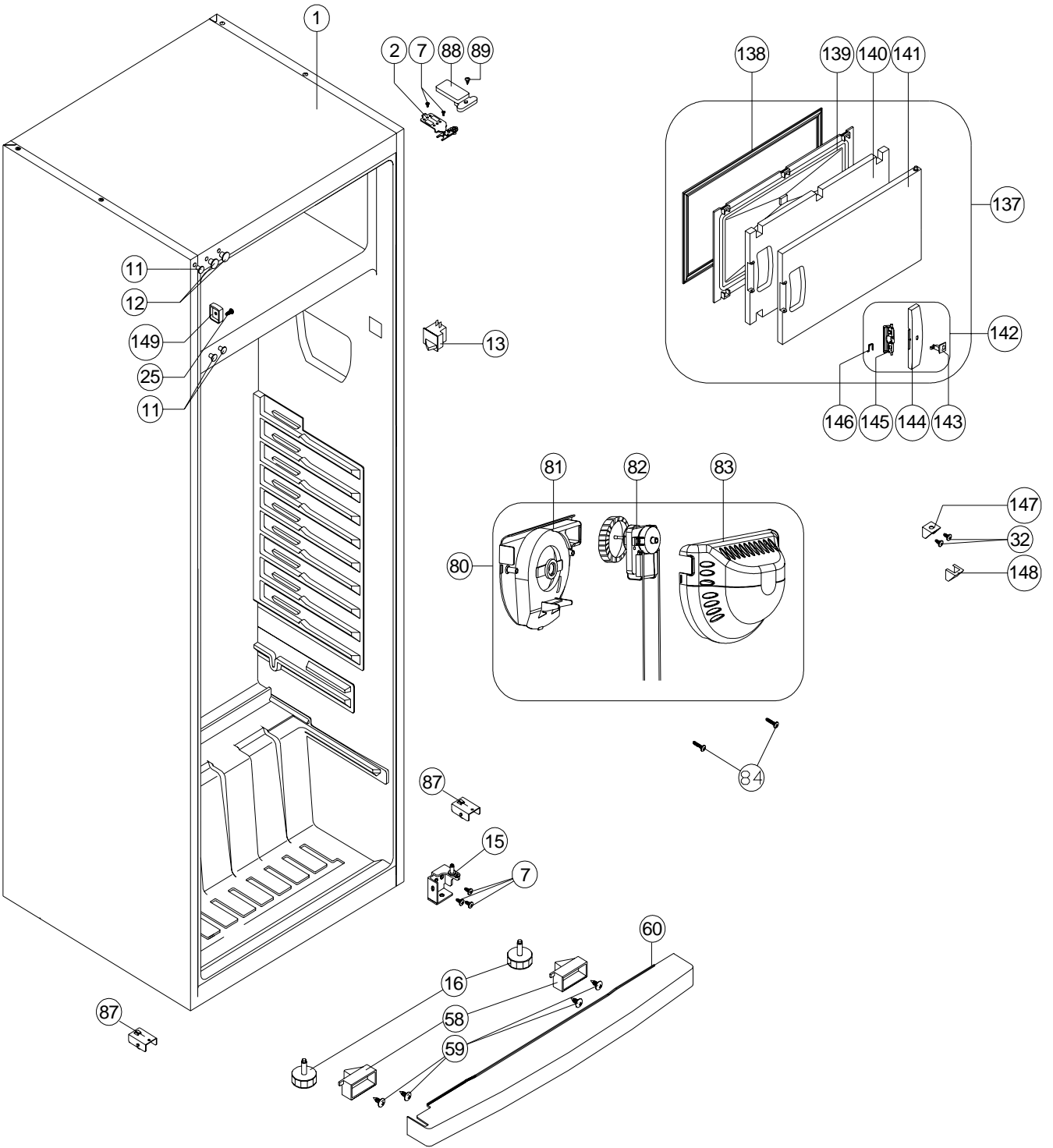


VESTEL WHITE GOODS	VESTEL REFRIGERATOR	CUSTOMER SUPPORT
	INTERIOR PARTS - 1	



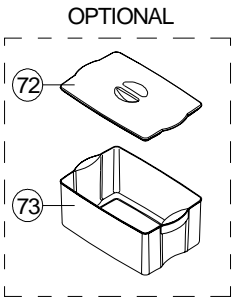
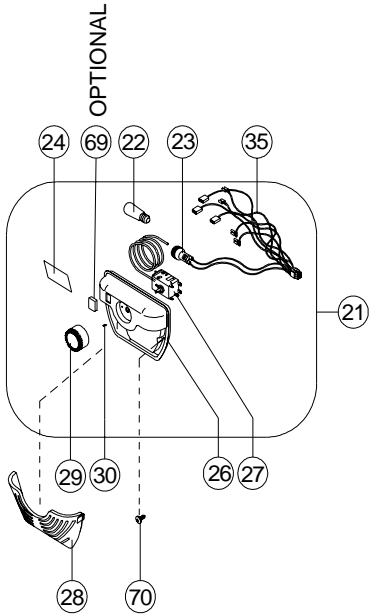
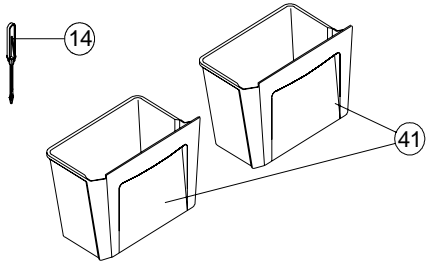
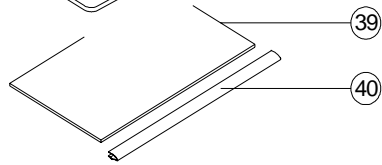
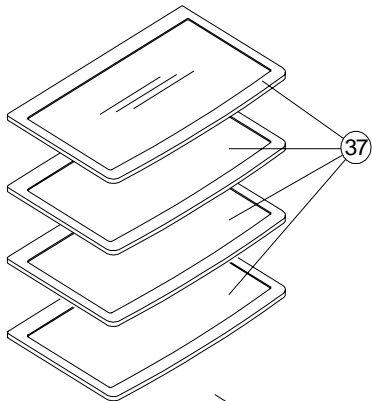
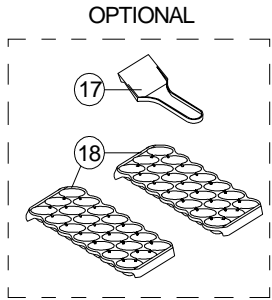
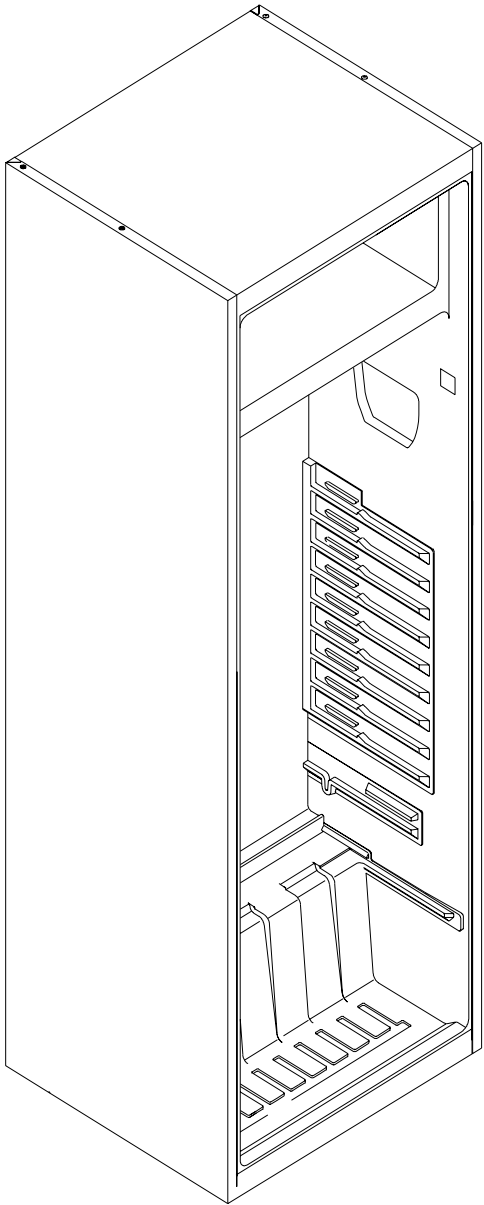
VESTEL WHITE GOODS	VESTEL REFRIGERATOR	CUSTOMER SUPPORT
	INTERIOR PARTS LIST - 1	

POSITION NUMBER	PART NAME
1	ASSY URT CAB/425-TURBO
2	TOP HINGE PAINTED/540
7	SCREW M5*14 WN 1342-H EJOT
11	MIDDLE HINGE SCREW CAP (SMALL)
12	MIDDLE HINGE SREW CAP (BIG)
13	DOOR SWITCH
15	BOTTOM HINGE/425
16	STATIONARY FOOT
25	SCREW PLS KA 40*13(INOX-S.UÇ)SUS 430
32	SCREW KA 40*18 WN 1411(INOX) EJOT
58	KICK PLATE HOLDER
59	SCREW 3.5*13 DIN 7981 YSB
60	KICK PLATE/455CE
80	TURBO FAN CABINET GROUP/345-455
81	TURBO FAN INSIDE BODY/345-455
82	FAN MOTOR ASSY/455(TURBO)1490rpm/220-240
83	TURBO FAN OUTSIDE BODY/345-455
84	SCREW KA 40*32 KUT UÇ INOX
87	FRONT WHEEL GR
88	TOP HINGE COVER/540CE
89	SCREW M4*6 DIN 7985 YSB
137	F DOOR GR/425 (STR)
138	F DOOR GASKET/425
139	F DOOR BACK/425 (STR)
140	F DOOR PAD/425
141	F DOOR FRONT/425 (STR)
142	F DOOR HANDLE ASSY/340
143	F DOOR LOCK INDICATOR COVER/340
144	F DOOR HANDLE/340
145	F DOOR LOCK
146	F DOOR SPRING/340
147	F DOOR HINGE
148	F DOOR HINGE COVER
149	F DOOR HOLDER

ABBREVIATIONS :

ASSY : ASSEMBLY
URT : URETHANE
CAB : CABINET

VESTEL WHITE GOODS	VESTEL REFRIGERATOR	CUSTOMER SUPPORT
	INTERIOR PARTS - 2	



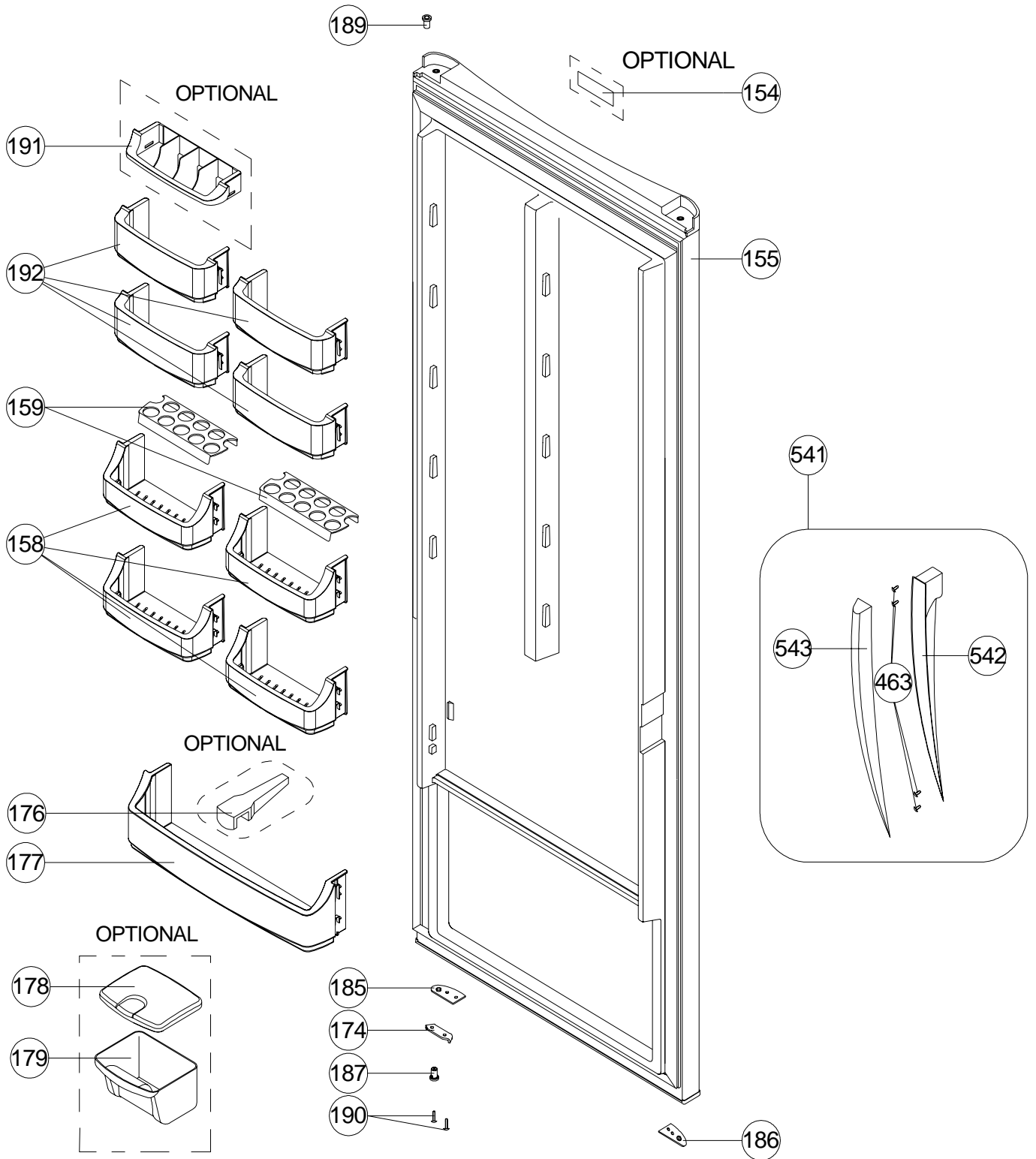
VESTEL WHITE GOODS	VESTEL REFRIGERATOR	CUSTOMER SUPPORT
	INTERIOR PARTS LIST - 2	

POSITION NUMBER	PART NAME
14	TUNNEL DRAIN PLUG
17	ICE SCRAPER <i>(OPTIONAL)</i>
18	ICE TRAY <i>(OPTIONAL)</i>
21	THERMOSTAT BOX GR
22	LAMP (E14/220-240V/15W)
23	LAMP HOLDER-E14
24	HEAT REFLECTOR FOIL
25	SCREW PLS KA 40*13(INOX-S.UÇ)SUS 430
26	THERMOSTAT BOX/345
27	THERMOSTAT
28	LAMP COVER345
29	THERMOSTAT KNOB/345
30	THERMOSTAT KNOB SPRING
32	SCREW KA 40*18 WN 1411(INOX) EJOT
35	WIRING HARNESS/THERMOSTAT/425-340
37	R COMPARTMENT SHELF/455
39	CRISPER COVER/425
40	CRISPER COVER TRIM/425
41	CRISPER/455
69	THERMOSTAT BOX SWITCH <i>(OPTIONAL)</i>
70	SCREW KA 40*14 WN 1411(INOX)EJOT
72	MEAT TRAY COVER <i>(OPTIONAL)</i>
73	MEAT TRAY <i>(OPTIONAL)</i>

ABBREVIATIONS :

R : REFRIGERATOR
F : FREEZER

VESTEL WHITE GOODS	VESTEL REFRIGERATOR	CUSTOMER SUPPORT
	DOOR ASSY. PARTS	



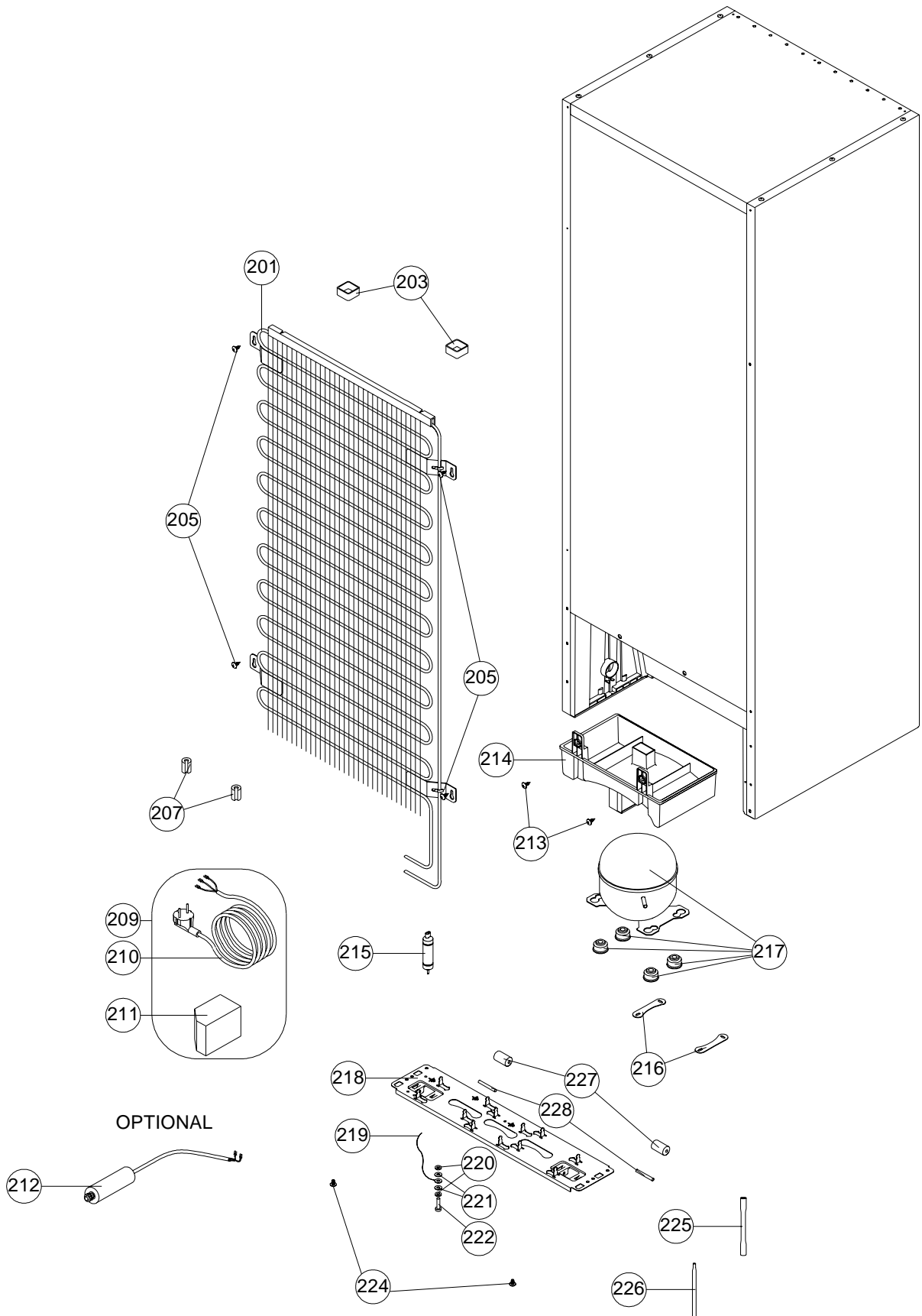
VESTEL WHITE GOODS	VESTEL REFRIGERATOR	CUSTOMER SUPPORT
	DOOR ASSY. PARTS LIST	

POSITION NUMBER	PART NAME
154	LOGO (<i>OPTIONAL</i>)
155	DOOR ASSY/425CEX
158	EGG SHELF/455
159	EGG HOLDER(I+II)455
176	BOTTLE HOLDER (<i>OPTIONAL</i>)
177	BOTTLE SHELF/455
178	AROMA BOX COVER (<i>OPTIONAL</i>)
179	AROMA BOX (<i>OPTIONAL</i>)
185	R BOTTOM STOPPER REINFORCEMENT/RIGHT-CE
186	R BOTTOM STOPPER REINFORCEMENT/LEFT-CE
187	BUSHING/345CE
189	BUSHING/540CE
191	SHELF SEPERATOR/425 (<i>OPTIONAL</i>)
192	SMALL SHELF/425
463	SCREW M5*12 DIN 7985 YSB
541	CEX-SD DOOR HANDLE PACK.GR
542	DOOR HANDLE BODY/CEX-SD
543	DOOR HANDLE COVER/CEX-SD

ABBREVIATIONS :

ASSY : ASSEMBLY

VESTEL WHITE GOODS	VESTEL REFRIGERATOR	CUSTOMER SUPPORT
	UNIT PARTS	



VESTEL WHITE GOODS	VESTEL REFRIGERATOR	CUSTOMER SUPPORT
	UNIT PARTS LIST	

POSITION NUMBER	PART NAME
201	MAIN CONDANSER/425
203	SPACER
205	SCREW 4.8*13 DIN7981 TYSB W.O. WASHER
207	ANTIVIBRATION (CONDENSER)
209	POWER CORD GROUP
210	POWER CORD
211	OVER LOAD RELAY
212	CAPACITOR (<i>OPTIONAL</i>)
213	SCREW 4.2*9.5 DIN 7981 YSB
214	EVAPORATING TRAY/345
215	DRYER (XH9,10GR)
216	COMP. FIXING BRACKET
217	COMPRESSOR
218	COMP. BASEMENT/425
219	GROUNDING WIRE
220	NUT M4*3.2 DIN 934 ZNK
221	WASHER 4.3*8*0.9 DIN 6798 ZNK
222	SCREW M4*16 DIN 933 ZNK
224	SCREW KA 50*14 WN 1412 EJOT
225	SERVICE TUBE (120*6*0,7) TYPE B
226	DRYER VACUUM TUBE
227	WHEEL
228	REAR WHEEL PIN