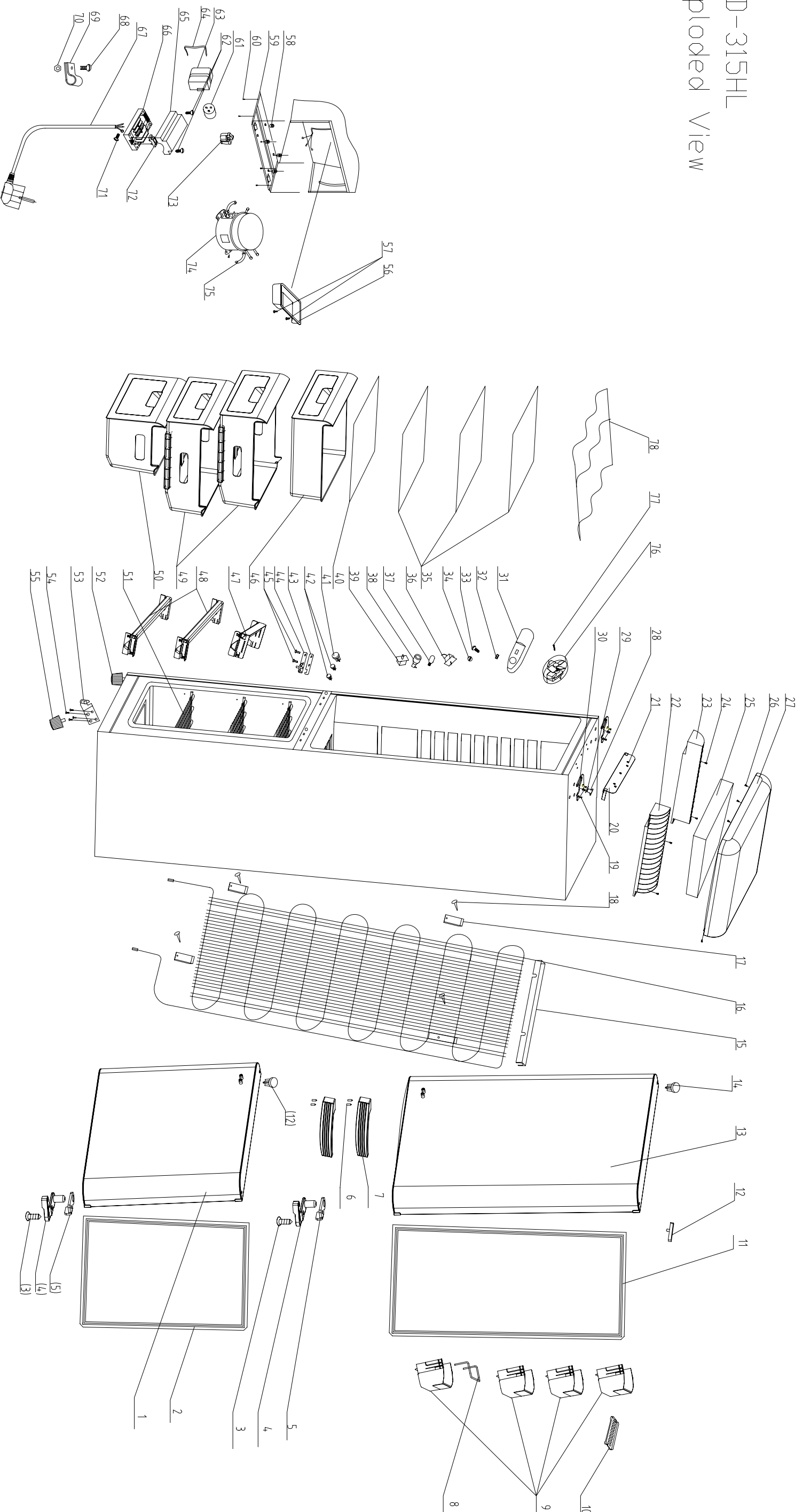


BCD-315HL Exploded View



71	Screws	线夹固定螺钉	1	57	Screws	自攻螺钉	2	43	Washer of mid hinge	中铰链垫片	1	29	gasket	垫圈	1	15	Condenser strip	冷凝器装饰条	1	1	Freezer door	冷冻门发泡部件	1
72	Junction box nut	接线盒螺母	1	58	Latex mat	橡胶垫	4	44	Mid hinge	六角头螺钉	2	31	thermostat cover	温控盒	4	16	Outer condenser	外挂冷凝器	1	2	Freezer door gasket	冷冻门发泡部件	1
73	Overload Protector	热保护装置	1	59	Soleplate	压缩机底座	1	45	Tapping screws	六角头螺钉	1	32	lamp switch	温控盒	1	17	Condenser nip	冷凝器固定块	4	3	Tapping Screws	自攻螺钉	2
74	Compressor	压缩机	1	60	Tapping screws	压缩机底座螺钉	4	46	Vagetable case	果菜盒	1	33	Tapping Screws	灯开关	4	18	Screws	自攻螺钉	4	4	estucheon	铝箔纸	2
75	Fastness nip	压铆机底座固定板	2	61	PTC-delay	启动器	1	47	Evaporator cover	蒸发器挡条1	2	34	Screws cover	自攻螺钉	1	19	Top fixed board	螺钉	1	5	estucheon	限位块	2
76	Fan	风扇	1	62	Tapping Screws	自攻螺钉	2	48	Evaporator cover	蒸发器挡条1	2	35	Refrigerator glass shelf	冷藏玻璃搁架	3	21	Tapping Screws	自攻螺钉	5	7	Screws	限位块	4
77	Screws	螺钉	1	63	Safety relay cover	罩壳	1	49	Middle case	中抽层组件	1	36	thermostat	温控器	1	22	Top right strip	顶盖右衬条	1	8	Door handle	门把手	2
78	Wire shelf	搁架	1	64	N/a of safety relay cover	卡簧	1	50	Lower case	下抽层组件	1	37	lamp	灯泡	1	23	Top left strip	顶盖左衬条	1	9	Steel wire railing	铁丝栏杆	1
				65	Junction box cover	接线盒盖	1	51	Freezer cover	冷冻蒸发器	1	38	lamp holder	灯座	1	24	Tapping Screws	自攻螺钉	4	10	Bottle shelf	透明架	4
				66	Junction box holder	接线盒座	1	52	adjustable foot	可调底座	1	39	lamp switch	灯开关	1	25	Top foam	顶盖泡沫	1	11	Refrigerator door gasket	冷藏门封部件	1
				67	Power cable	电源线	1	53	Bottom hinge	下铰链部件	4	40	over board	果菜盒盖板	1	26	Tapping Screws	自攻螺钉	3	12	door clip	门盖十字	1
				68	Screws	线夹固定螺钉	1	54	Tapping Screws	六角螺钉	1	41	Box cover	箱盖前门	1	27	Top	顶盖	1	13	Refrigerator door	冷藏门发泡部件	1
				69	Clamp	线夹	1	55	foot	底座	1	42	Box cover	箱盖前门	2	28	hinge axes	铰链轴	1	14	Door cover	门盖孔帽	2
				70	Nut	线夹固定螺母	1	56	Drip tray	接水盘	1	43	Refrigerator glass shelf	冷藏玻璃搁架	1	29	Refrigerator glass shelf	冷藏玻璃搁架	1	15	Refrigerator door	冷藏门发泡部件	1