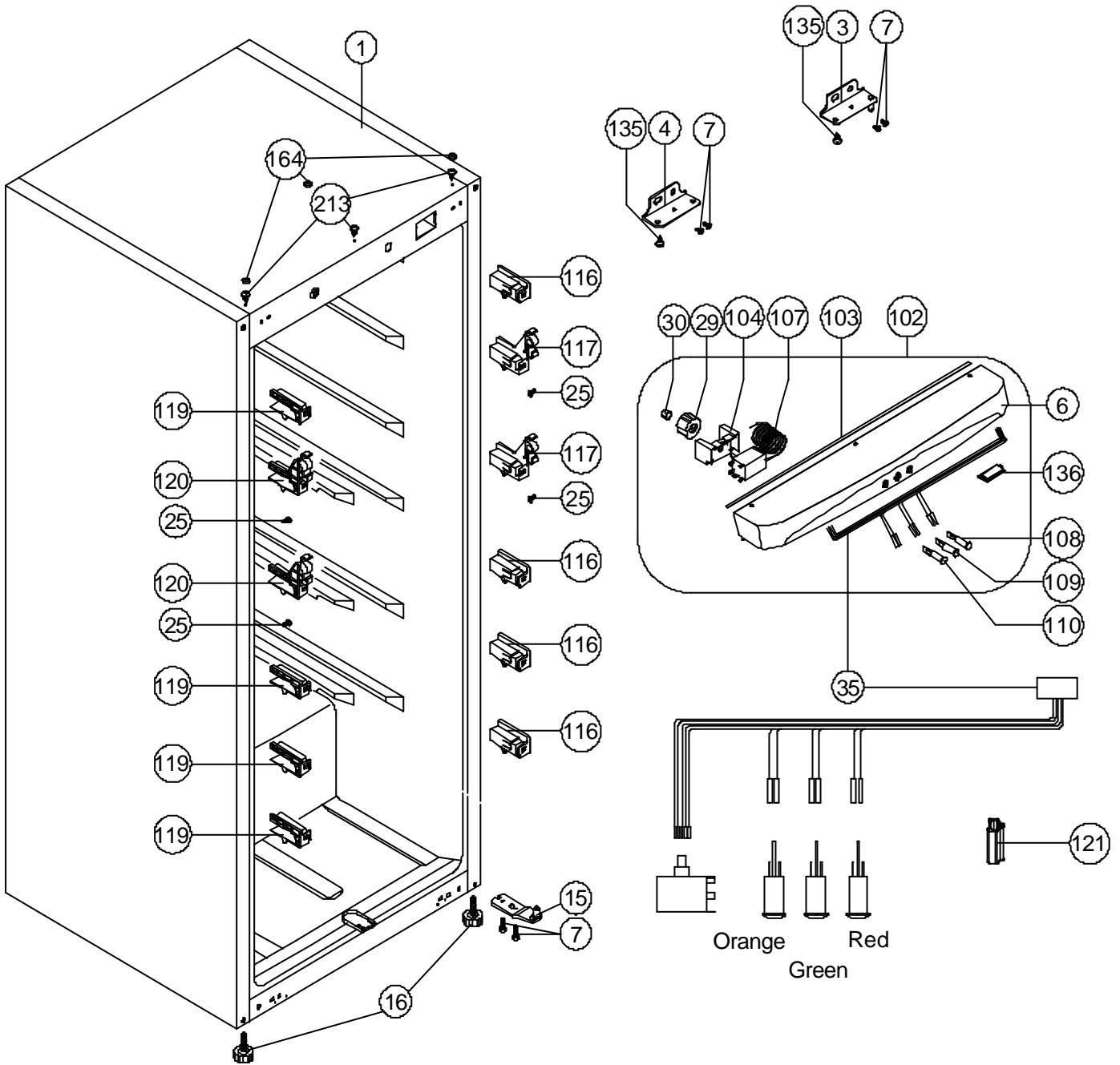


VESTEL WHITE GOODS	VESTEL FREEZER	CUSTOMER SUPPORT
	INTERIOR PARTS	



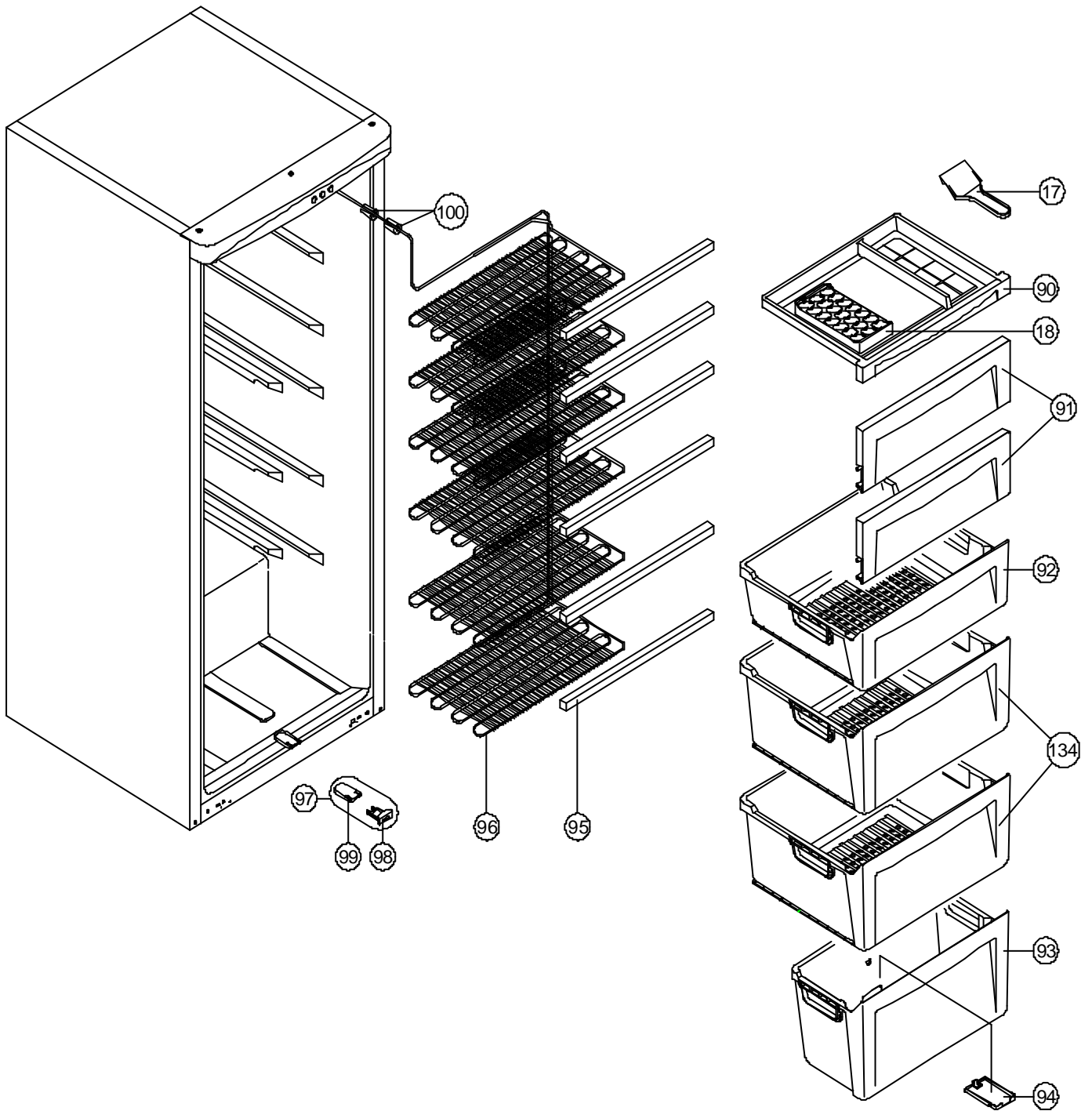
VESTEL WHITE GOODS	VESTEL FREEZER	CUSTOMER SUPPORT
	INTERIOR PARTS LIST	

POSITION NUMBER	PART NAME
1	ASSY URT CAB/245
3	TOP HINGE/260 (WITH PIN)
4	TOP HINGE/260 (WITHOUT PIN)
6	HEAD PANEL/245
7	SCREW M5*14 WN 1342-H EJOT
15	BOTTOM HINGE/140
16	STATIONARY FOOT
25	SCREW PLS KA 40*13(INOX-S.UÇ)SUS 430
29	THERMOSTAT KNOB SRGF/245
30	THERMOSTAT KNOB SPRING
35	WIRING HARNESS THERMOSTAT/245
102	HEAD PANEL GR/245
103	HEAD PANEL SEAL/245
104	THERMOSTAT HOLDER/245
107	FRZ.THERMOSTAT/DNFS077B2648/380-SF-LAMP
108	INDICATOR LAMP (RED)
109	INDICATOR LAMP (GREEN)
110	INDICATOR LAMP (ORANGE)
116	F EVAP SUPPORT R/360
117	F COVER SUPPORT R/360
119	F EVAP SUPPORT L/360
120	F COVER SUPPORT L/360
121	THERMO CAPI BRACKET/360
135	SCREW 4.2*13 DIN 7981 YHB
136	HEAD PANEL CAP/245
164	DOOR HANDLE SCREW CAP
213	SCREW 4.2*9.5 DIN 7981 YSB

ABBREVIATIONS :

ASSY : ASSEMBLY
 URT : URETHANE
 CAB : CABINET
 F : FREEZER
 R . RIGHT
 L : LEFT

VESTEL WHITE GOODS	VESTEL FREEZER	CUSTOMER SUPPORT
	ACCESSORY PARTS	



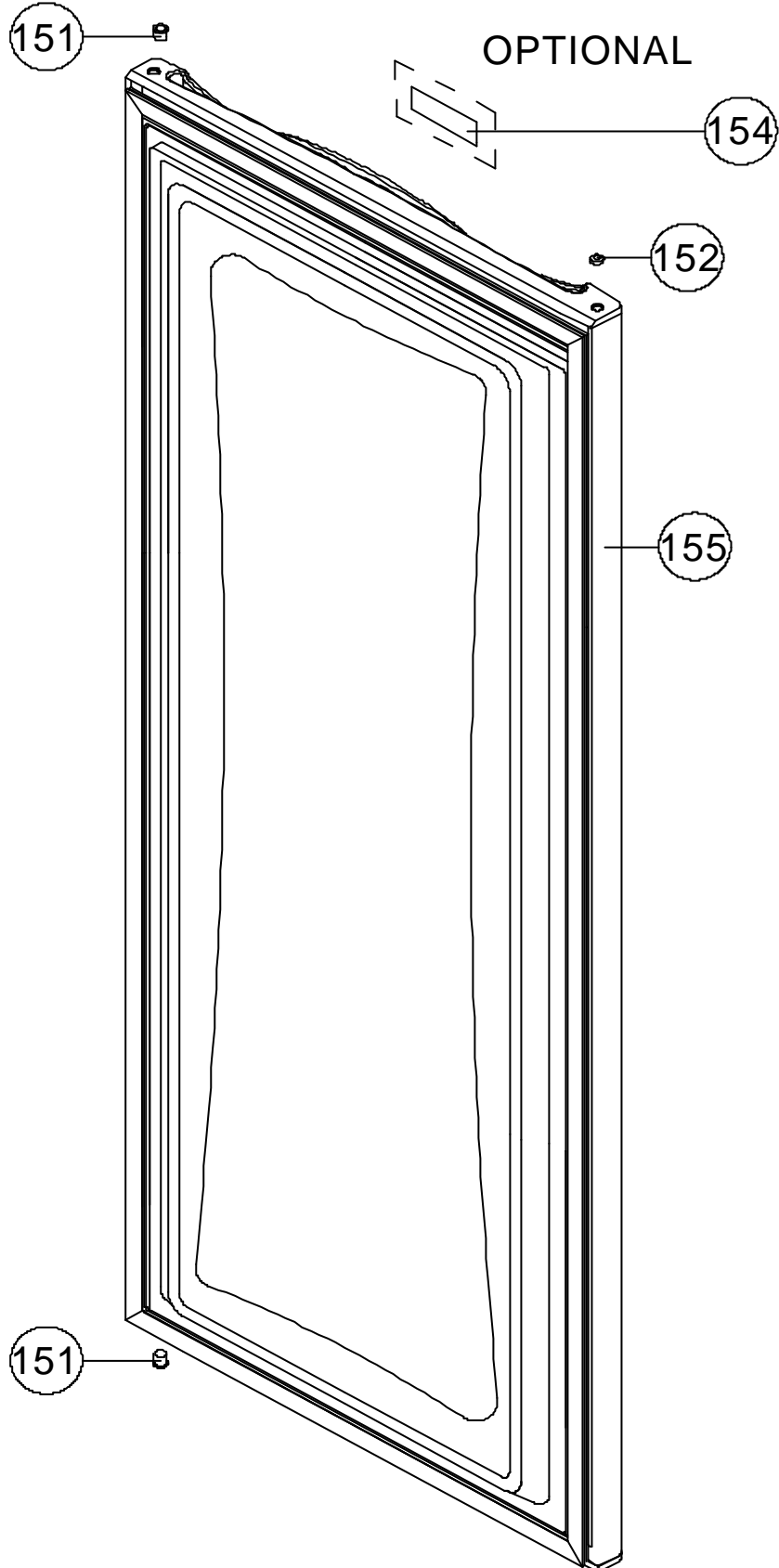
VESTEL WHITE GOODS	VESTEL FREEZER	CUSTOMER SUPPORT
	ACCESSORY PARTS LIST	

POSITION NUMBER	PART NAME
17	ICE SCRAPER <i>(OPTIONAL)</i>
18	ICE TRAY <i>(OPTIONAL)</i>
90	GRIP TRAY ICE/145
91	F COVER/145
92	MIDDLE BASKET/145
93	BOTTOM BASKET/145
94	BASKET F DRAIN/360
95	F EVAP TRIM/145
96	F EVAPORATOR ASSY/245
97	F DRAIN GR/360
98	F DRAIN/360
99	F DRAIN HOLDER/360
100	ANTIVIBRATION (HEAD EXCHANGER)
134	MIDDLE BASKET/245

ABBREVIATIONS :

F : FREEZER

VESTEL WHITE GOODS	VESTEL FREEZER	CUSTOMER SUPPORT
	DOOR ASSY. PARTS	



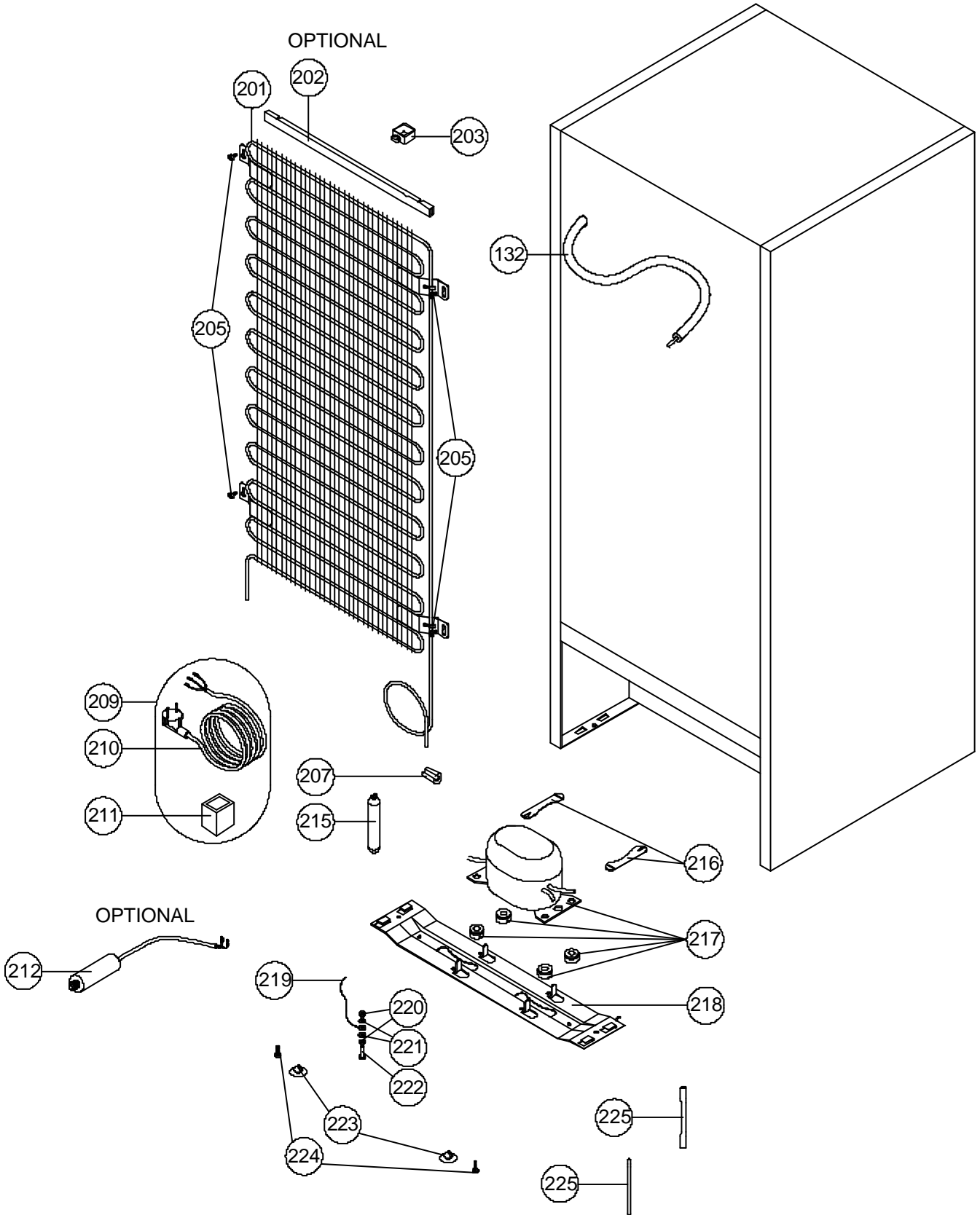
VESTEL WHITE GOODS	VESTEL FREEZER	CUSTOMER SUPPORT
	DOOR ASSY. PARTS LIST	

POSITION NUMBER	PART NAME
151	BUSHING/345P
152	BUSHING CAP
154	LOGO <i>(OPTIONAL)</i>
155	DOOR ASSY/245F

ABBREVIATIONS :

ASSY : ASSEMBLY

VESTEL WHITE GOODS	VESTEL FREEZER	CUSTOMER SUPPORT
	UNIT PARTS	



VESTEL WHITE GOODS	VESTEL FREEZER	CUSTOMER SUPPORT
	UNIT PARTS LIST	

POSITION NUMBER	PART NAME
132	COVER TUBE/360
201	MAIN CONDANSER/260
202	CONDENSER TRIM/140 (OPTIONAL)
203	SPACER
205	SCREW 4.8*13 DIN7981 TYSB W.O. WASHER
207	ANTIVIBRATION (CONDANSER)
209	POWER CORD GROUP
210	POWER CORD
211	OVER LOAD RELAY
212	CAPACITOR (OPTIONAL)
215	DRYER (XH9,10GR)
216	COMP FIXING BRACKET
217	COMPRESSOR
218	COMP BASEMENT/140
219	GROUNDING WIRE
220	NUT M4*3.2 DIN 934 ZNK
221	WASHER 4.3*8*0.9 DIN 6798 ZNK
222	SCREW M4*16 DIN 933 ZNK
223	COMP BASEMENT FOOT/140
224	SCREW KA 50*14 WN 1412 EJOT
225	SERVICE TUBE (120*6*0,75)
226	DRYER VACUUM TUBE