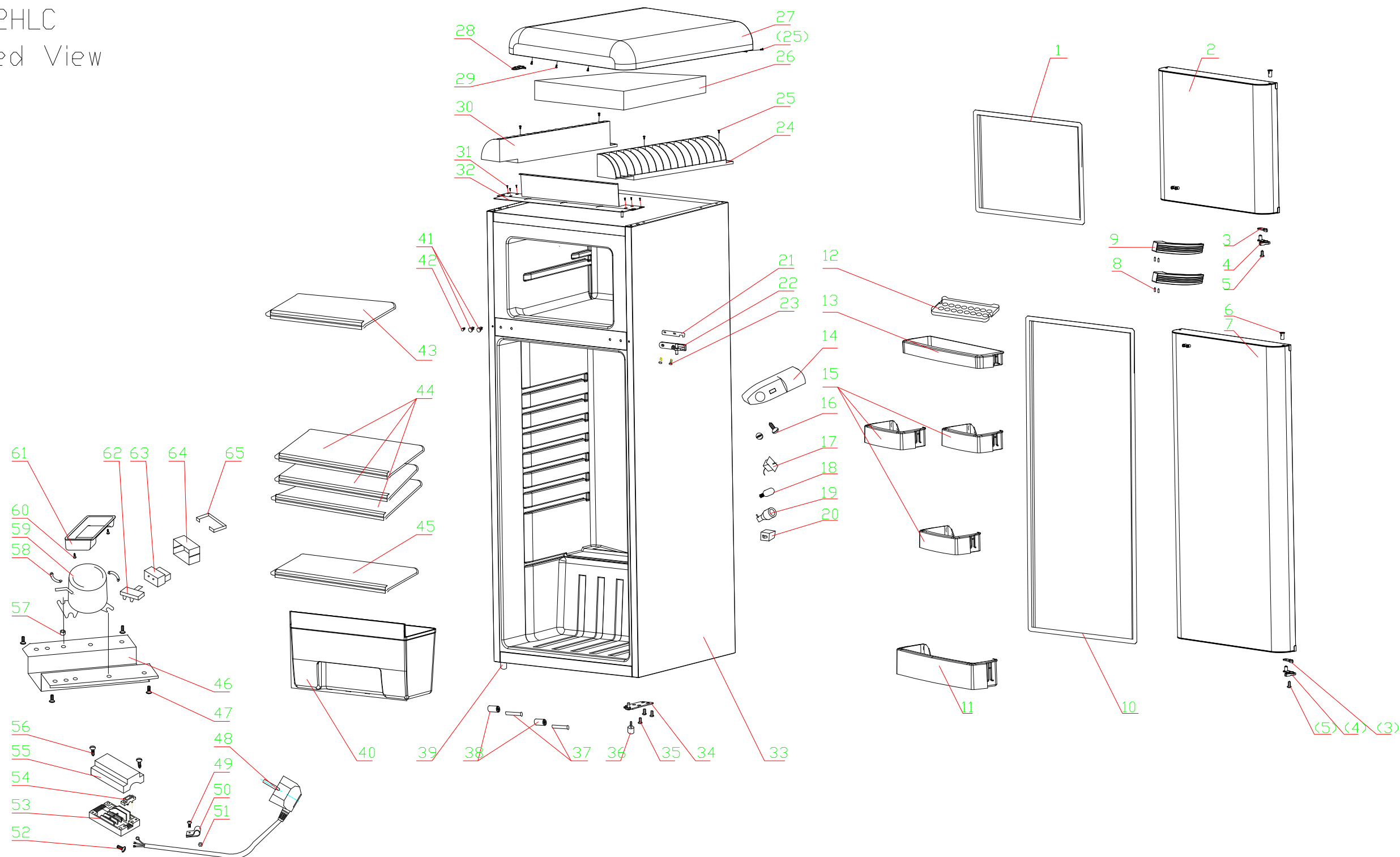


BCD-212HLC Exploded View



			65	Nip of safety relay cover	卡黄	1	51	Nut	线夹固定螺母	1	37	wheel	轮子	2	23	tapping screws	六角头螺钉	2				
			64	Safety relay cover	罩壳	1	50	Clamp	线夹	1	36	foot	底脚	1	22	Mid hinge	中铰链部件	1	9	HLDDoor handle	HL门把手	2
			63	PTC-Relay	启动器	1	49	Screws	线夹固定螺钉	1	35	tapping screws	六角头螺钉	3	21	Washer of mid hinge	中铰链垫片	1	8	Screws	紧固螺钉	4
			62	Overload Protector	热保护器	1	48	Power cable	电源线	1	34	bottom hinge	下铰链部件	1	20	lamp switch	灯开关	1				
			61	Drip tray	接水盘	1	47	tapping screws	压缩机底板螺钉	4	33	Box Parts	箱体部件	1	19	lamp holder	灯座	1	7	HL Refrigerator door	HL冷藏门发泡部件	1
			60	Screws	自攻螺钉	2	46	Soleplate	压缩机底板	1	32	Top fixed board	顶盖固定板	1	18	lamp	灯泡	1	6	Axis cannula	轴套	2
			59	Compressor	压缩机	1	45	over board	果菜盒盖板	1	31	naill	螺钉	6	17	thermostat	温控器	1	5	Tapping Screws	自攻螺钉	2
			58	Fastness nip	压缩机底板固定板	2	44	Refrigerator glass shelf	冷藏玻璃搁架	3	30	Left top strip	顶盖左衬条	1	16	Tapping Screws	自攻螺钉	1				
			57	Latex mat	橡胶垫	4	43	Freezer glass shelf	冷冻玻璃搁架	1	29	Screws	自攻螺钉	3	15	Bottle shelf	透明搁架	3	4	escutcheon	锁紧块	2
			56	Screws	自攻螺钉	2	42	Box cover	箱盖帽 I	1	28	top clip	顶盖卡子	1	14	thermostat cover	温控盒	1				
			55	Junction box cover	接线盒盖	1	41	Box cover	箱盖帽 II	1	27	top	顶盖	1	13	Bottle shelf	透明搁架	1	3	Limit position block	限位块	2
			54	Junction box nut	接线盒线夹	1	40	Vegetable Case	果菜盒	1	26	Top foam	顶盖泡沫	1	12	Egg shelf	透明蛋架	1				
			53	Junction box holder	接线盒座	1	39	adjustable foot	可调底脚	1	25	Screws	自攻螺钉	8	11	Bottle shelf	透明瓶搁架	1	2	HL Freezer door	HL冷冻门发泡部件	1
			52	Earthing screws	接地螺钉	1	38	axes	轴	2	24	Right top strip	顶盖右衬条	1	10	Refrigerator door gasket	冷藏门封部件	1	1	Freezer door gasket	冷冻门封部件	1
Serial Number	Item	Quantity	Serial Number	Item	Quantity	Serial Number	Item	Quantity	Serial Number	Quantity	Serial Number	Item	Quantity	Serial Number	Item	Quantity	Serial Number	Item	Quantity	Serial Number	Item	Quantity