



**VESTEL WHITE GOODS
CUSTOMER SUPPORT**

VESTEL REFRIGERATOR SERVICE MANUAL

VESTEL MODEL :	CUSTOMER MODEL :	CUSTOMER :	PRODUCT CODE:
RN 425S	SMP 420.05	FRANCE / VESTEL FRANCE / STARFROST	10600044

CONTENTS**PAGE**

<i>1. ASSEMBLE & DISASSEMBLE</i>	
* <i>Changing the door swing direction</i>	1-3
* <i>Changing the freezer door swing direction</i>	4
* <i>Changing the thermostat</i>	5
* <i>Thermostat knob</i>	5
<i>3. REFRIGERANT CYCLE DIAGRAM</i>	6
<i>4. COMPRESSOR AREA VIEW</i>	7
<i>5. CIRCUIT DIAGRAM</i>	7
<i>6. INTERIOR PARTS</i>	8
<i>7. INTERIOR PARTS LIST</i>	9-10
<i>8. DOOR ASSY. PARTS</i>	11
<i>9. DOOR ASSY. PARTS LIST</i>	12
<i>10. UNIT PARTS</i>	13
<i>11. UNIT PARTS LIST</i>	14

VESTEL WHITE GOODS	VESTEL REFRIGERATOR	APRIL 2004
	ASSEMBLE & DISASSEMBLE	

A- Changing The Door Swing Direction :

1- Remove the head panel hinge covers and unscrew the two screws fixing the top hinge and remove it. (FIG-1)

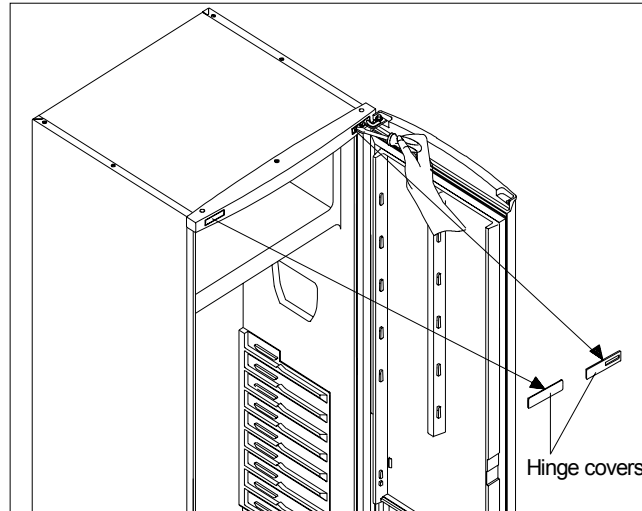


Figure - 1

2- Dismantle the door from bottom hinge by pulling the door upwards. (FIG-2)

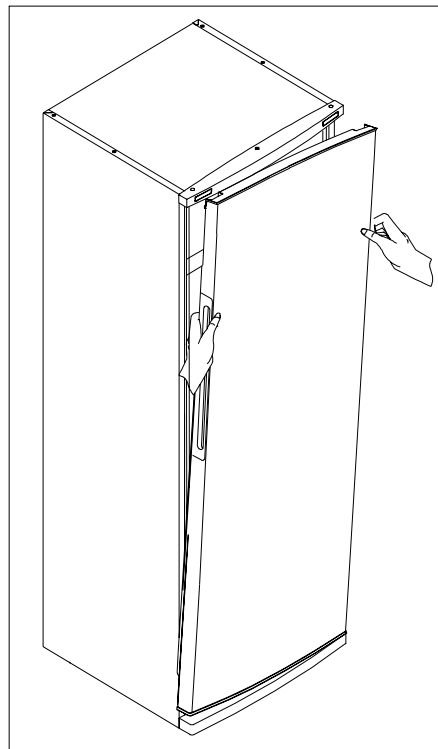


Figure - 2

VESTEL WHITE GOODS	CUSTOMER SUPPORT
---------------------------	-----------------------------

VESTEL WHITE GOODS	VESTEL REFRIGERATOR	APRIL 2004
	ASSEMBLE & DISASSEMBLE	

3- Remove the kick plate by pulling forward. Unscrew the bottom hinge fixing screws and remove it. Unscrew the pin of bottom hinge from Hole 1, rotate the bottom hinge 90° and screw the pin to Hole 2. Dismantle stationary foot of bottom hinge from Hole 3 and screw the stationary foot to Hole 4. (See Detail A) Then remove the stationary foot from the left side and assemble it to the right side. Screw the hinge to bottom left side of the cabinet. (FIG-3)

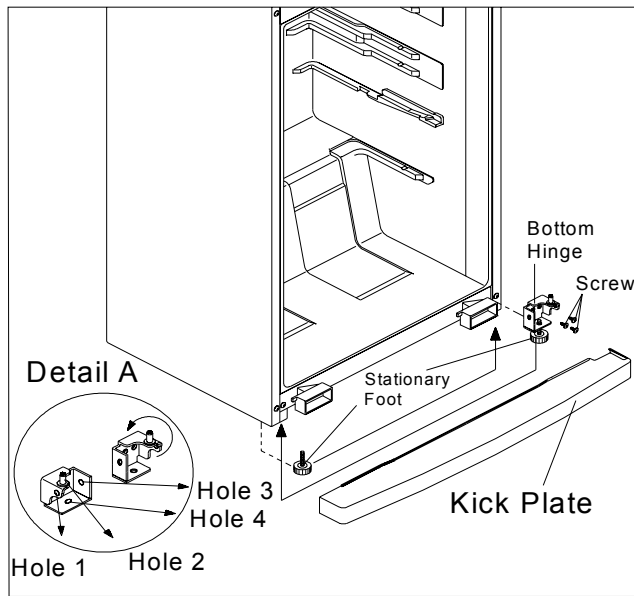


Figure - 3

4- Unscrew the pin of the top hinge. Turn the top hinge by 180° then screw the pin of the top hinge. (FIG-4)

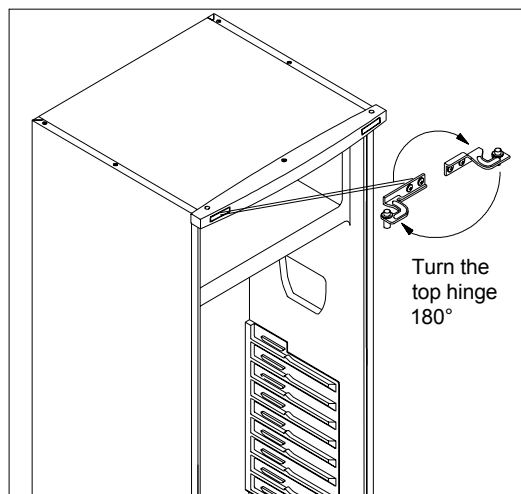


Figure - 4

VESTEL WHITE GOODS	CUSTOMER SUPPORT
---------------------------	-----------------------------

VESTEL WHITE GOODS	VESTEL REFRIGERATOR	APRIL 2004
	ASSEMBLE & DISASSEMBLE	

- 5-** Remove the top bushing and insert it into left side hole. (FIG-5)
Remove the bottom bushing and bottom stopper and reassemble them to the left side. (FIG-5)

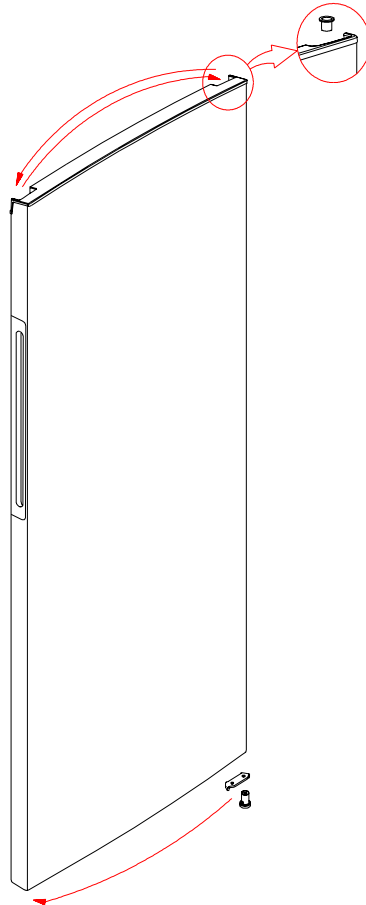


Figure - 5

- 6-** Assemble the door by repeating the reverse operation of items 1 and 2.
(Screw the top hinge to left hand side.) Fix the hinge covers by replacing the right and left one. Finally, by using a knife cut left side of the kick plate and assemble it.

VESTEL WHITE GOODS	CUSTOMER SUPPORT
---------------------------	-----------------------------

VESTEL WHITE GOODS	VESTEL REFRIGERATOR	APRIL 2004
	ASSEMBLE & DISASSEMBLE	

Changing The Freezer Door Swing Direction :

1. Remove the freezer door hinge cover. (FIG-1) Unscrew the two screws fixing the freezer door hinge and remove the freezer door (FIG-2)

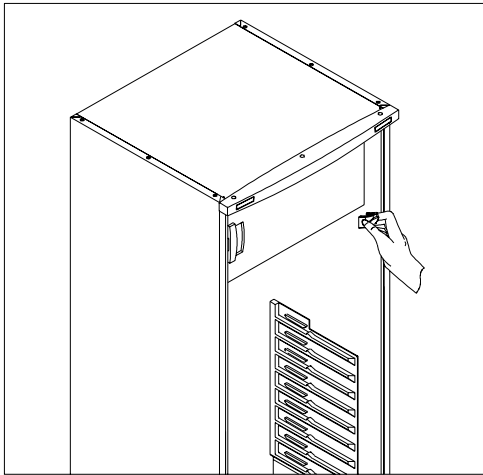


Figure - 1

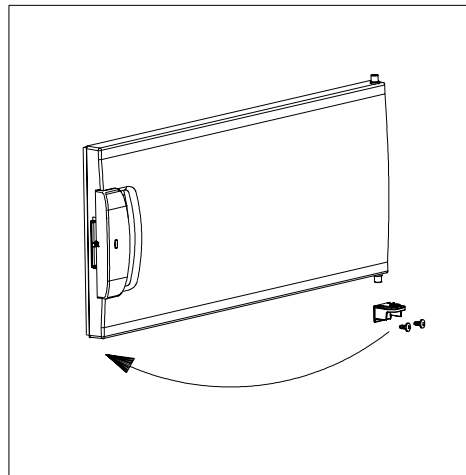


Figure - 2

2. Unscrew the one screw fixing the freezer door holder and remove it. Then screw it to the right side. Remove the two small caps on the left side and insert them to right side as shown in the figure. (FIG-3) Assemble the freezer door and fix the freezer door hinge by tightening the screws. (Reverse operation of item 1) (FIG-4) Finally, insert the freezer door hinge cover.

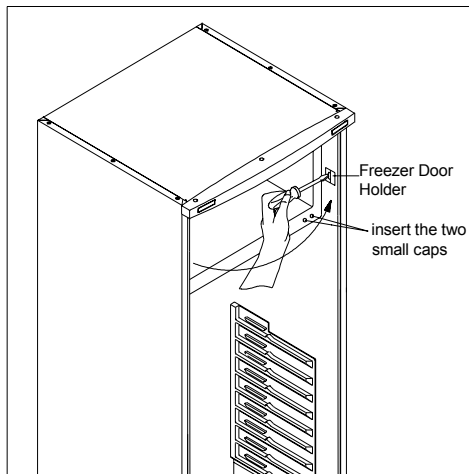


Figure - 3

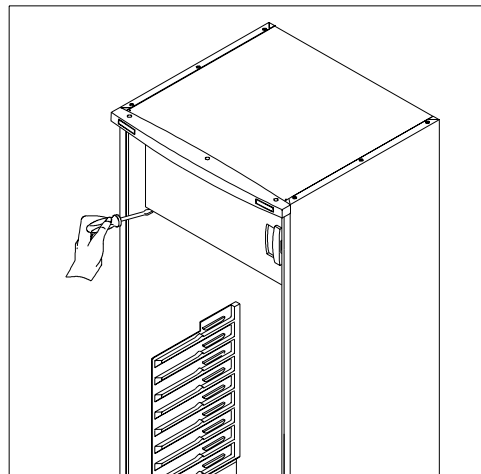


Figure - 4

VESTEL WHITE GOODS	CUSTOMER SUPPORT
---------------------------	-----------------------------

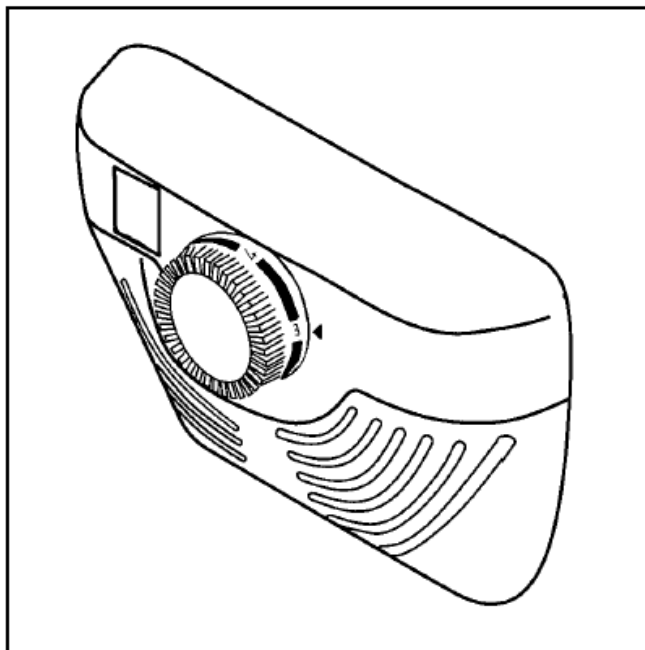
VESTEL WHITE GOODS	VESTEL REFRIGERATOR	APRIL 2004
	ASSEMBLE & DISASSEMBLE	

B - Changing The Thermostat :

- 1) Remove the lamp cover and unscrew the fixing screw.
- 2) Remove the thermostat box by pulling it and disconnecting the cable terminals.
- 3) Remove the thermostat knob by pulling forward. Loosen the nut which is fixing the thermostat.
- 4) Pull out the thermostat bulb from the housing.
- 5) Replace the thermostat with a new one and assemble the thermostat box following the steps backwards.

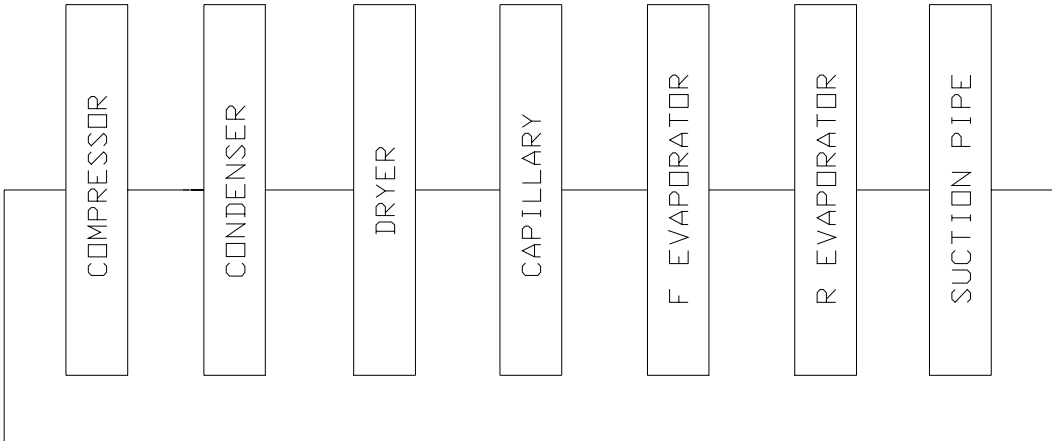
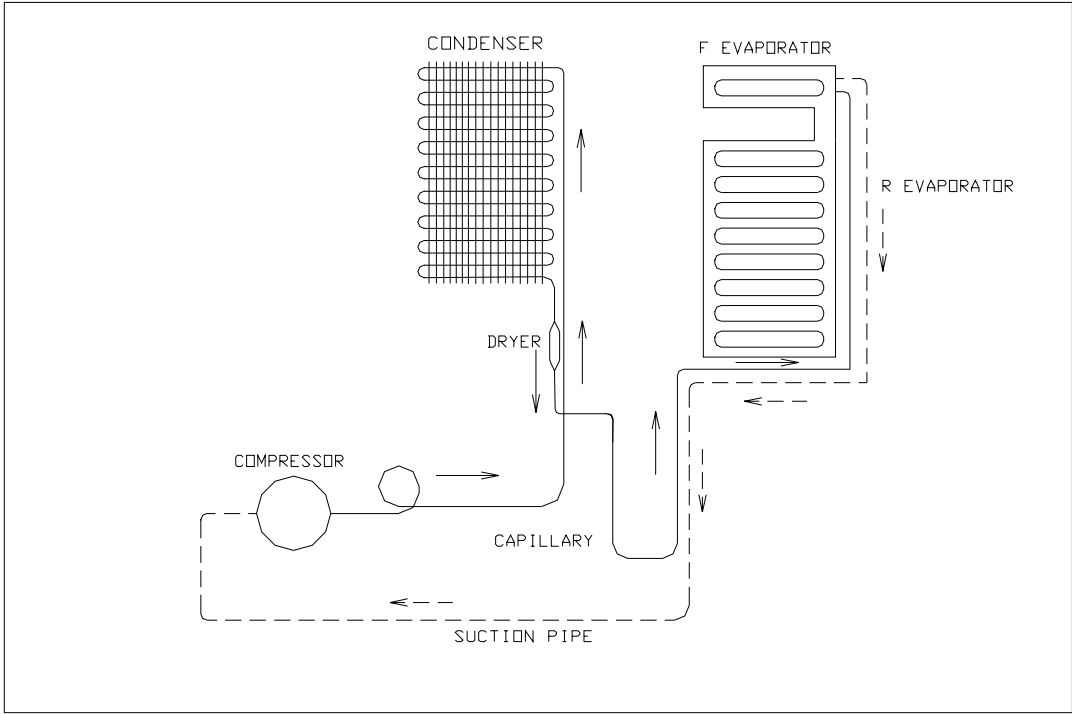
C - Thermostat Knob

- ❖ This knob is used to control the temperature of the freezer and refrigerator parts automatically. It can be set to any value between “0” and “5” positions.
- ❖ “0” position indicates that the thermostat is “off”. The refrigerator is “off” on this setting.
- ❖ By turning the knob between “1” and “5”, you can increase or decrease the cooling degree.
- ❖ The refrigerator is designed to get optimum performance when the thermostat knob is set between position “2” to “4”.



VESTEL WHITE GOODS	CUSTOMER SUPPORT
---------------------------	-----------------------------

VESTEL WHITE GOODS	VESTEL REFRIGERATOR	APRIL 2004
	REFRIGERANT CYCLE DIAGRAM	



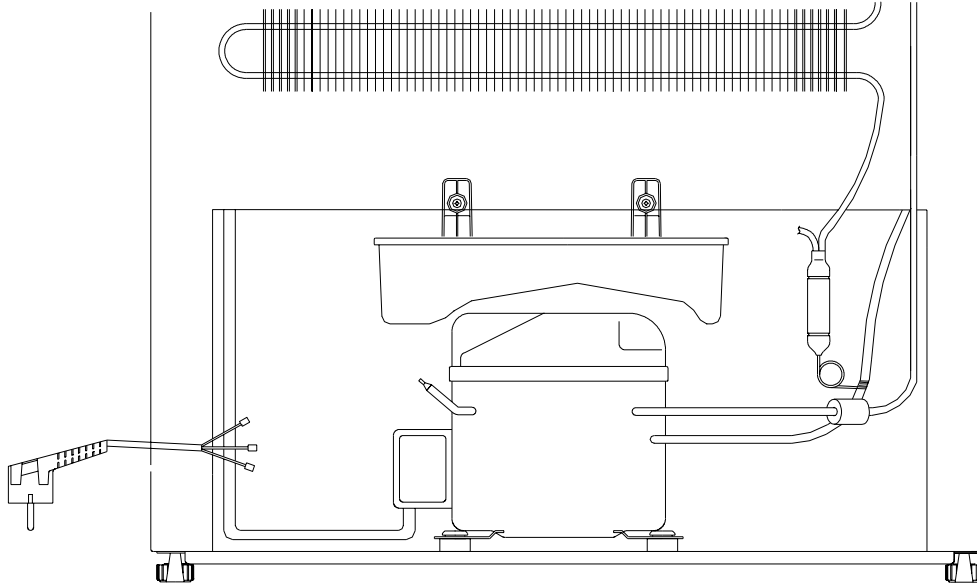
VESTEL WHITE GOODS	CUSTOMER SUPPORT
---------------------------	-----------------------------

**VESTEL
WHITE GOODS**

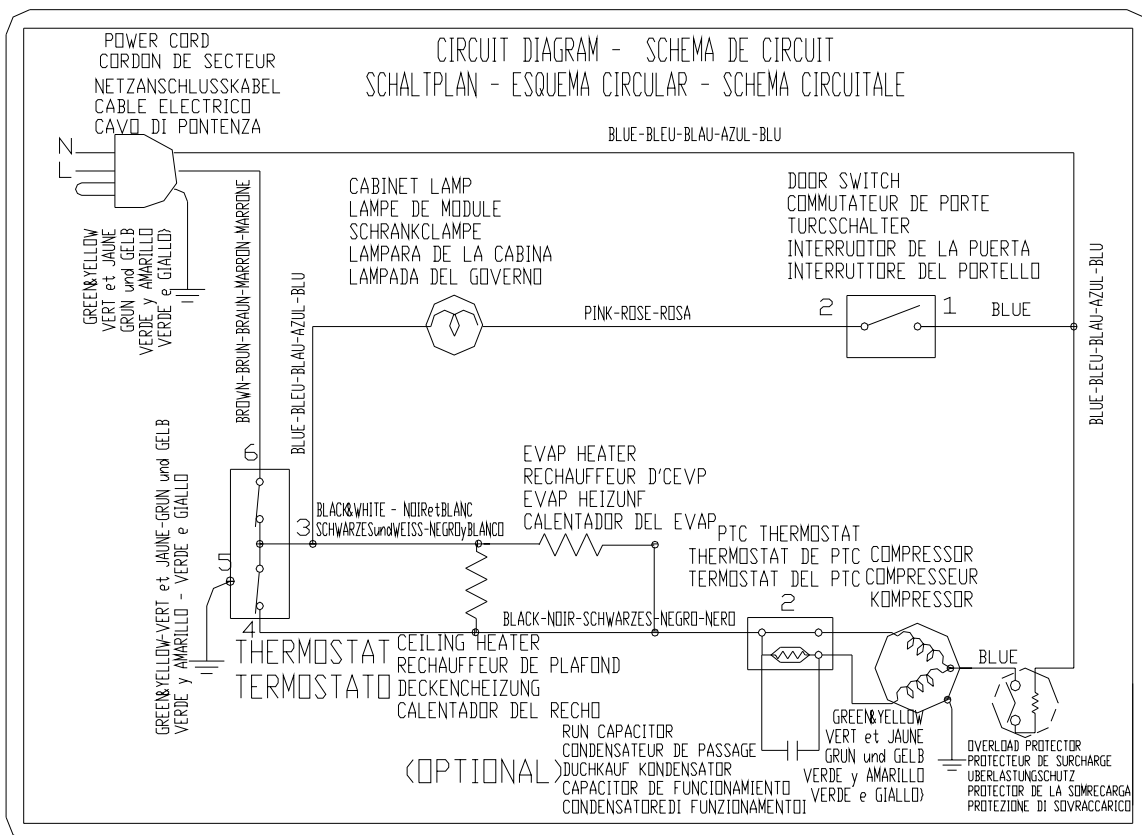
VESTEL REFRIGERATOR
COMPRESSOR AREA VIEW & CIRCUIT DIAGRAM

**APRIL
2004**

COMPRESSOR AREA VIEW



CIRCUIT DIAGRAM



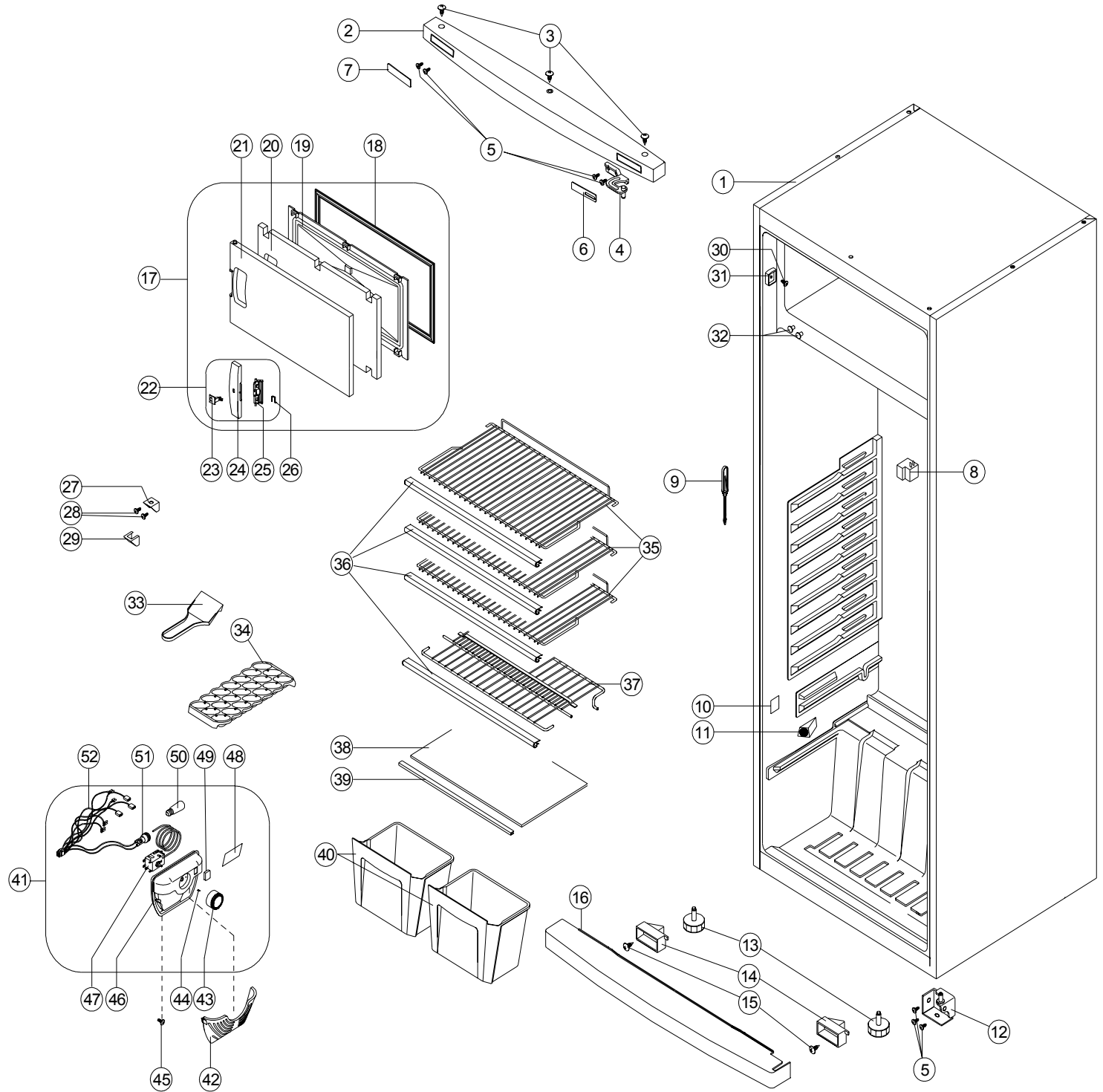
VESTEL WHITE GOODS

**CUSTOMER
SUPPORT**

VESTEL
WHITE GOODS

VESTEL REFRIGERATOR
INTERIOR PARTS

APRIL
2004



VESTEL WHITE GOODS

CUSTOMER
SUPPORT

VESTEL WHITE GOODS	VESTEL REFRIGERATOR	APRIL 2004
	INTERIOR PARTS LIST	

NO	CODE	PART NAME	SMP 420.05
1	20133937	ASSY URT CAB/425 (WITH SERPENTINE) (ICE WHITE)	1
2	40018688	HEAD PANEL ASSY/455 (ICE WHITE)	1
3	35000743	SCREW 4.2*9.5 DIN 7981 YSB	3
4	35004874	TOP HINGE DYED/345P (PÇ.6,9)	1
5	35000714	SCREW M5*14 WN 1342-H EJOT	7
6	40018649	HEAD PANEL CAP/RIGHT (ICE WHITE)	1
7	40018650	HEAD PANEL CAP/LEFT (ICE WHITE)	1
8	30007915	DOOR LAMP SWITCH	1
9	40019311	TUNNEL DRAIN PLUG (ICE WHITE)	1
10	40010922	INDICATOR GR	1
11	50028825	INDICATOR LABEL	1
12	35006201	BOTTOM HINGE/425	1
13	45000563	STATIONARY FOOT	2
14	40019313	KICK PLATE HOLDER (ICE WHITE)	2
15	35000707	SCREW 3.5*13 DIN 7981 YSB	2
16	40018734	KICK PLATE/455P (ICE WHITE)	1
17	40019695	F DOOR GR/425 (ICE WHITE)	1
18	40014741	F DOOR GASKET/425 (STR)	1
19	40019643	F DOOR BACK/425 (ICE WHITE)	1
20	50038999	F DOOR PAD/425	1
21	40019709	F DOOR FRONT/425 SRGF (ICE WHITE)	1
22	40019017	F DOOR HANDLE ASSY/340 (ICE WHITE)	1
23	40002238	F DOOR LOCK INDICATOR COVER/340	1
24	40018980	F DOOR HANDLE (ICE WHITE)	1
25	40002233	F DOOR LOCK	1
26	35005861	F DOOR SPRING/340 (U)	1
27	40002226	F DOOR HINGE	1
28	35000744	SCREW KA 40*18 WN 1411(INOX) EJOT	2
29	40018979	F DOOR HINGE COVER (ICE WHITE)	1
30	35003482	SCREW PLS KA 40*13(INOX-S.UÇ)SUS 430	1
31	40002230	F DOOR HOLDER	1
32	40018479	CAP SMALL (ICE WHITE)	2
33	40018989	ICE SCRAPER (ICE WHITE)	1
34	40002236	ICE TRAY	1
35	47000098	R COMPARTMENT SHELF/455 (ICE WHITE)	3
36	40020567	R COMPARTMENT SHELF TRIM/455 (EXT) (ICE WHITE)	4
37	47000078	MAGIC SHELF/455 (ICE WHITE)	1
38	45001946	CRISPER COVER SRGF/425 (WHIRLPOOL)	1
39	40020577	CRISPER COVER TRIM/455 (EXT) (ICE WHITE)	1
40	40019101	CRISPER/465 (ICE WHITE)	2

VESTEL WHITE GOODS	CUSTOMER SUPPORT
---------------------------	-----------------------------

VESTEL WHITE GOODS	VESTEL REFRIGERATOR	APRIL 2004
	INTERIOR PARTS LIST	

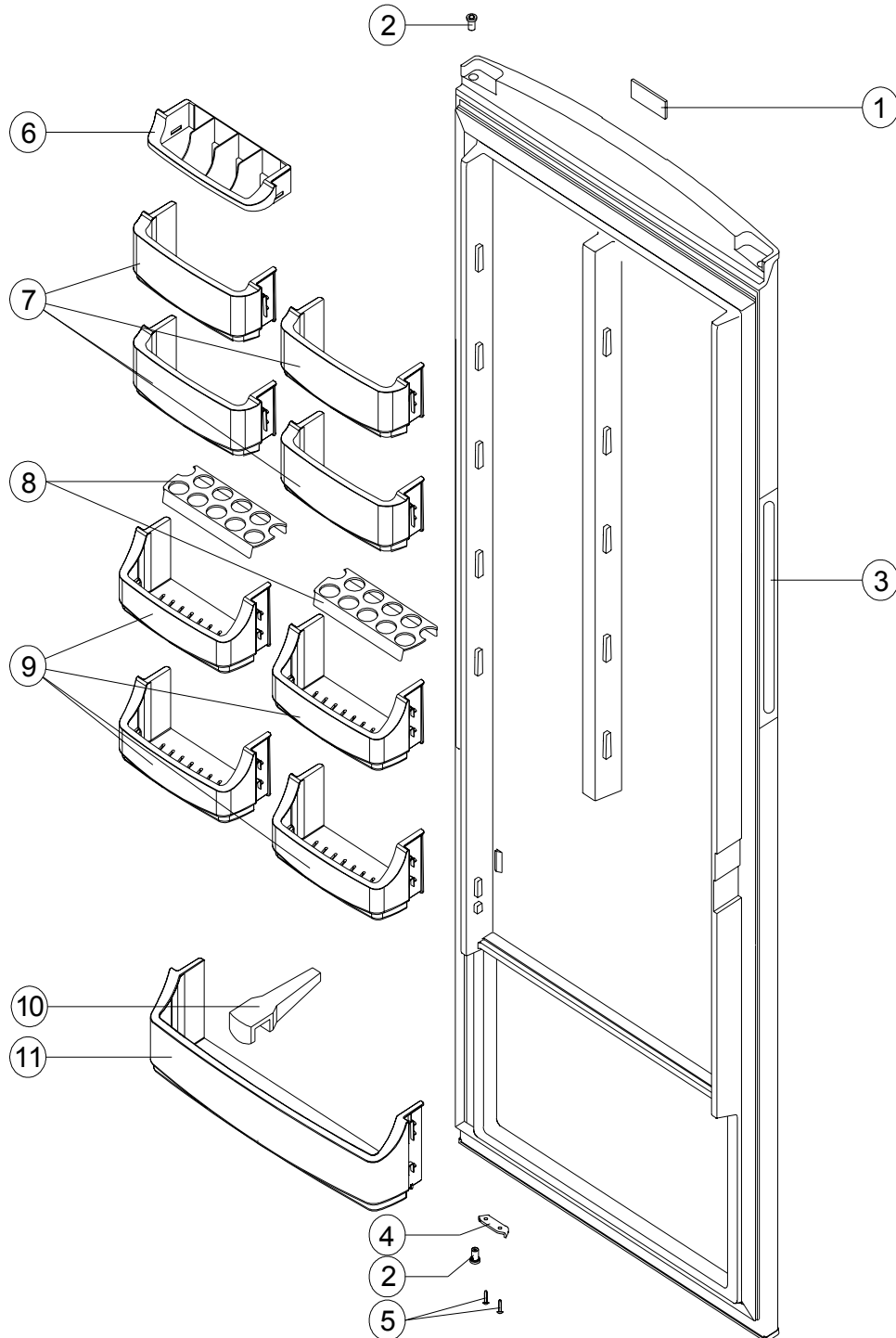
NO	CODE	PART NAME	SMP 420.05
41	30029616	THERMOSTAT BOX GR/340-425 (ICE WHITE)	1
42	40002255	LAMP COVER/345	1
43	40018997	THERMOSTAT KNOB SRGF/345 (ICE WHITE)	1
44	35000730	THERMOSTAT KNOB SPRING	1
45	35001678	SCREW KA 40*14 WN 1411(INOX)EJOT	1
46	40018981	THERMOSTAT BOX/345 (ICE WHITE)	1
47	30007921	THERMOSTAT (DNFS077B6575,R2070-K59-1)	1
48	45000560	HEAT REFLECTOR FOIL	1
49	40019016	THERMOSTAT BOX PLUG (ICE WHITE)	1
50	30007906	LAMP (E14/220-240V/15W)	1
51	30007907	LAMP HOLDER-E14	1
52	30014148	WIRING ASSY/THERMOSTAT/425T-340T	1

VESTEL WHITE GOODS	CUSTOMER SUPPORT
---------------------------	-----------------------------

VESTEL
WHITE GOODS

VESTEL REFRIGERATOR
DOOR ASSY. PARTS

APRIL
2004



VESTEL WHITE GOODS

CUSTOMER
SUPPORT

VESTEL WHITE GOODS	VESTEL REFRIGERATOR	APRIL 2004
	DOOR ASSY. PARTS LIST	

NO	CODE	PART NAME	SMP 420.05
1	45002323	LOGO STARFROST (BIG)	1
2	40002242	BUSHING/345P	2
3	20149441	DOOR ASSY/425S (BIG) (ICE WHITE CAP)	1
4	35000712	R DOOR STOPPER	1
5	35000714	SCREW M5*14 WN 1342-H EJOT	2
6	40002307	SHELF SEPERATOR/425 (BLUE)	1
7	40019005	SMALL SHELF SRGF/425 (ICE WHITE)	4
8	40007082	EGG HOLDER(I+II)455 (TRANSP-BLUE)	1
9	40019007	EGG SHELF SRGF/455 (ICE WHITE)	4
10	40018985	BOTTLE HOLDER (ICE WHITE)	1
11	40019008	BOTTLE SHELF SRGF/455 (ICE WHITE)	1

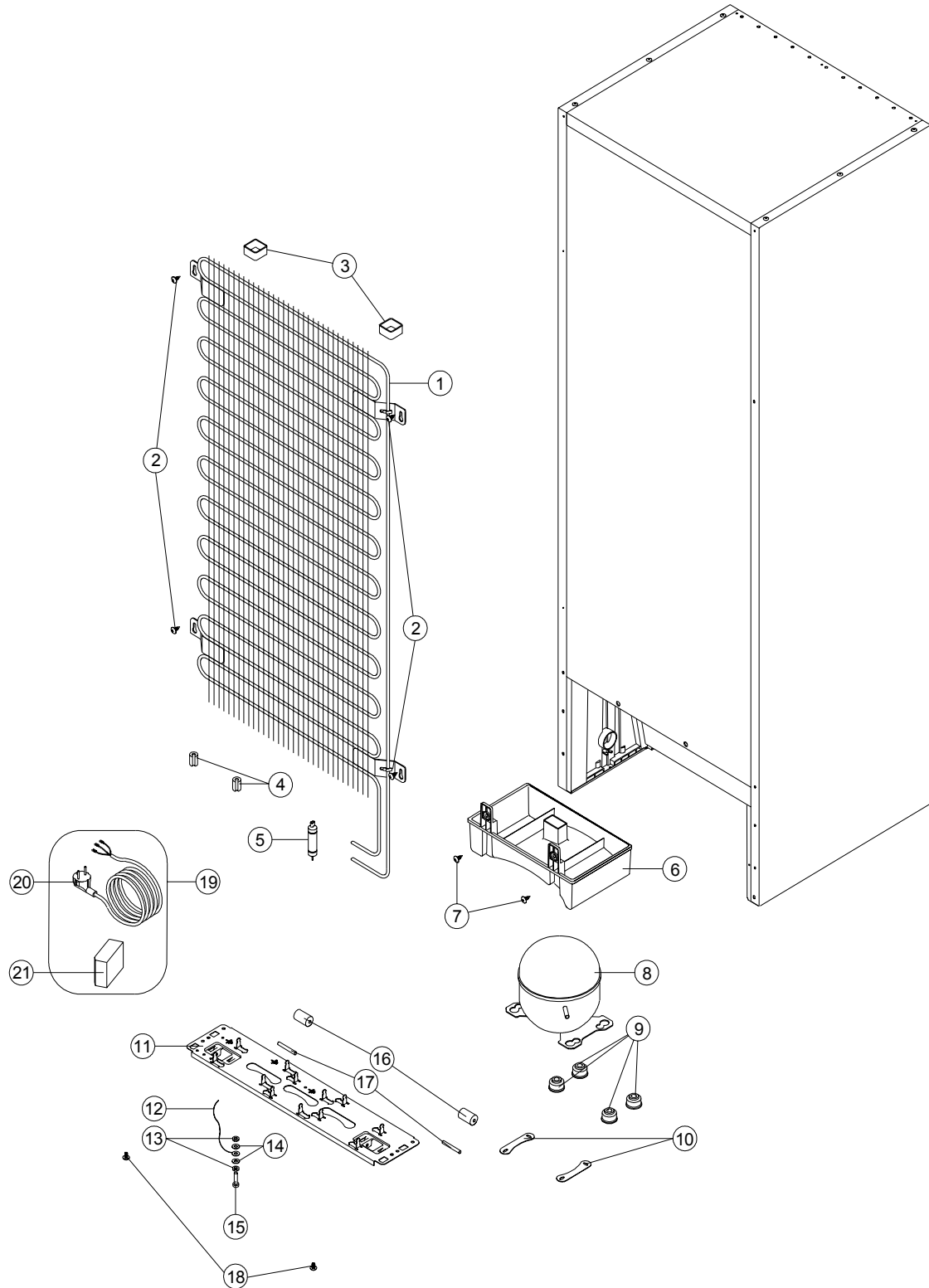
VESTEL WHITE GOODS	CUSTOMER SUPPORT
---------------------------	-----------------------------

VESTEL
WHITE GOODS

VESTEL REFRIGERATOR

UNIT PARTS

APRIL
2004



VESTEL WHITE GOODS

CUSTOMER
SUPPORT

VESTEL WHITE GOODS	VESTEL REFRIGERATOR	APRIL 2004
	UNIT PARTS LIST	

NO	CODE	PART NAME	SMP 420.05
1	35004223	MAIN CONDANSER/425N (D50)	1
2	35001817	SCREW 4.2*9.5 WITH WASHER	4
3	40002180	SPACER	2
4	40002210	ANTI-VIBRATION (COND.)	2
5	35001697	DRYER (XH9,10GR)	1
6	40009952	EVAPORATING TRAY/345	1
7	35000743	SCREW 4.2*9.5 DIN 7981 YSB	2
8	30023391	COMPRESSOR (ECU75HLP, 220-240V/50HZ)	1
9	40007341	COMPRESSOR RUBBER	4
10	20020023	COMPRESSOR FIXING BRACKET	2
11	20020016	COMPRESSOR BASEMENT/425	1
12	30007904	GROUNDING WIRE	1
13	35000721	NUT M4*3.2 DIN 934 ZNK	2
14	35000722	WASHER 4.3*8*0.9 DIN 6798 ZNK	2
15	35000723	SCREW M4*16 DIN 933 ZNK	1
16	40002217	WHEEL	2
17	35000738	REAR WHEEL PIN	2
18	35000728	SCREW KA 50*14 WN 1412 EJOT	2
19	30023761	POWER CORD GR. ECU75HLP	1
20	30007911	POWER CORD (2.1m)	1
21	30023452	OVER LOAD RELAY.ECU75HLP	1
	50029533	USER'S MANUAL-FR	1
	50029435	CIRCUIT DIAGRAM/340-425 (WHITH RESISTANCE)	1
	20602725	NAME PLATE/425N STARFROST-FR (SMP 420.05)	1
	20602727	ENERGY LABEL/425S(GST) LADEN (AM170)	1
	50008045	C-PENTAN LABEL	1
	20602726	PACKAGE LABEL/425S(N)STARFROST-FR (SMP420.05)	2
	20100687	PACKAGE GR/425 (CARTOON STANDARD)	1
	50019978	PACKAGE CARTOON/425 (STANDARD)	1
	50014044	PACKAGE BAG (1425*2000*0.05)425	0,272 kg. (1)
	50019386	STYROFOAM UPPER/455 (CARTOON)	1
	50019384	STYROFOAM BOTTOM/455 (CARTOON)	1
	50019297	STYROFOAM FRONT CORNER/345 (CARTOON)	4
	50019298	STYROFOAM BACK CORNER/345 (CARTOON)	4

VESTEL WHITE GOODS	CUSTOMER SUPPORT
---------------------------	-----------------------------

REVISION SHORT HISTORY:

NO:	REV. NO:	REV. DATE:	PAGE NO:	REV. REASON
01	00	24.04.2004	All	First publication

DISTRIBUTION :

<i>France – Vestel France</i>	<i>Date: 24.04.2004</i>
-------------------------------	-------------------------

PREPARED BY : Poyraz DOGACI
APPROVED BY : Deniz SPORER

PRINTED DATE : 24 APRIL 2004
DOCUMENT NO : 52000615