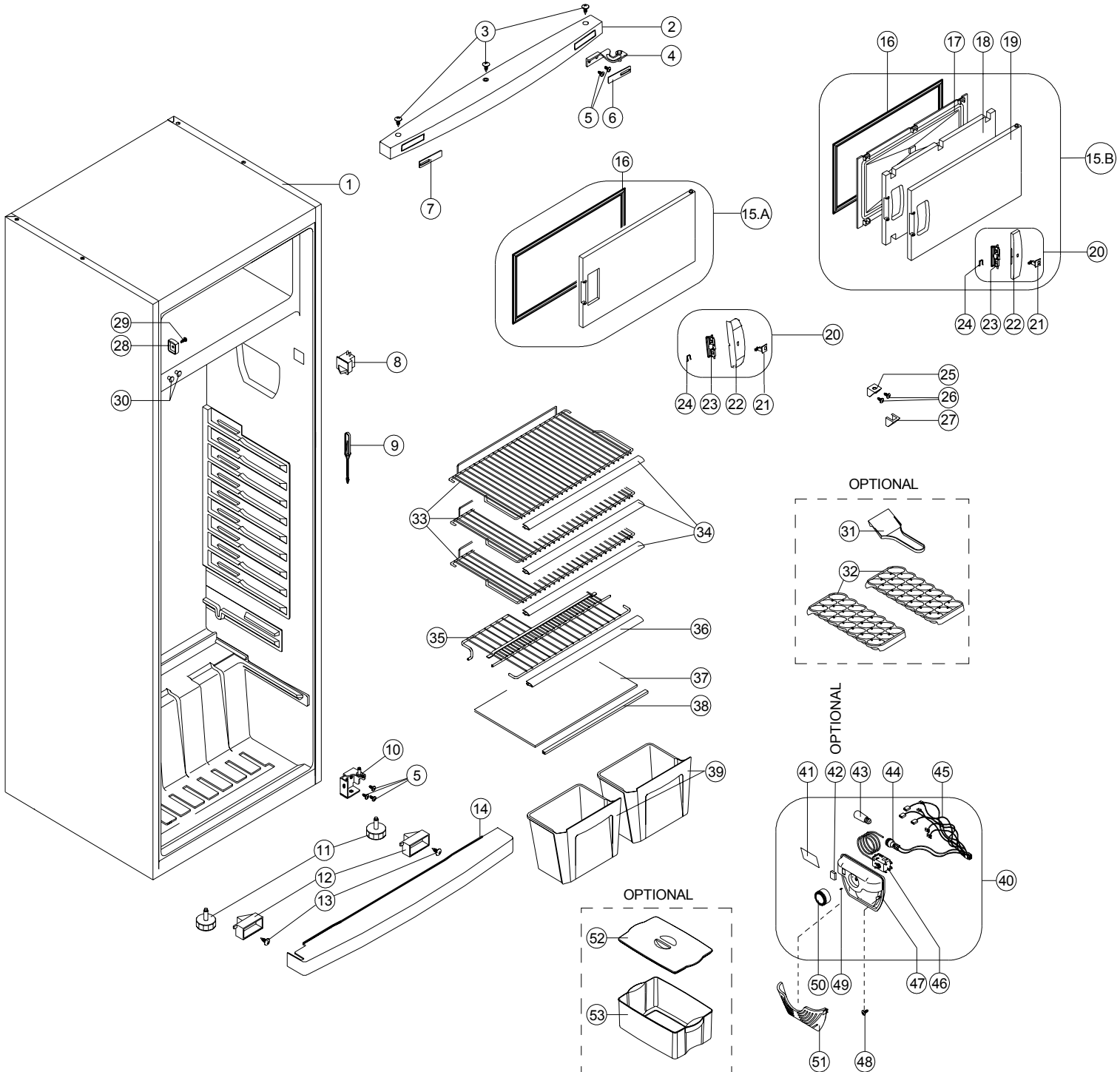


<b>VESTEL</b> WHITE GOODS	<b>VESTEL REFRIGERATOR</b>	<b>CUSTOMER</b> <b>SUPPORT</b>
	<b>INTERIOR PARTS</b>	



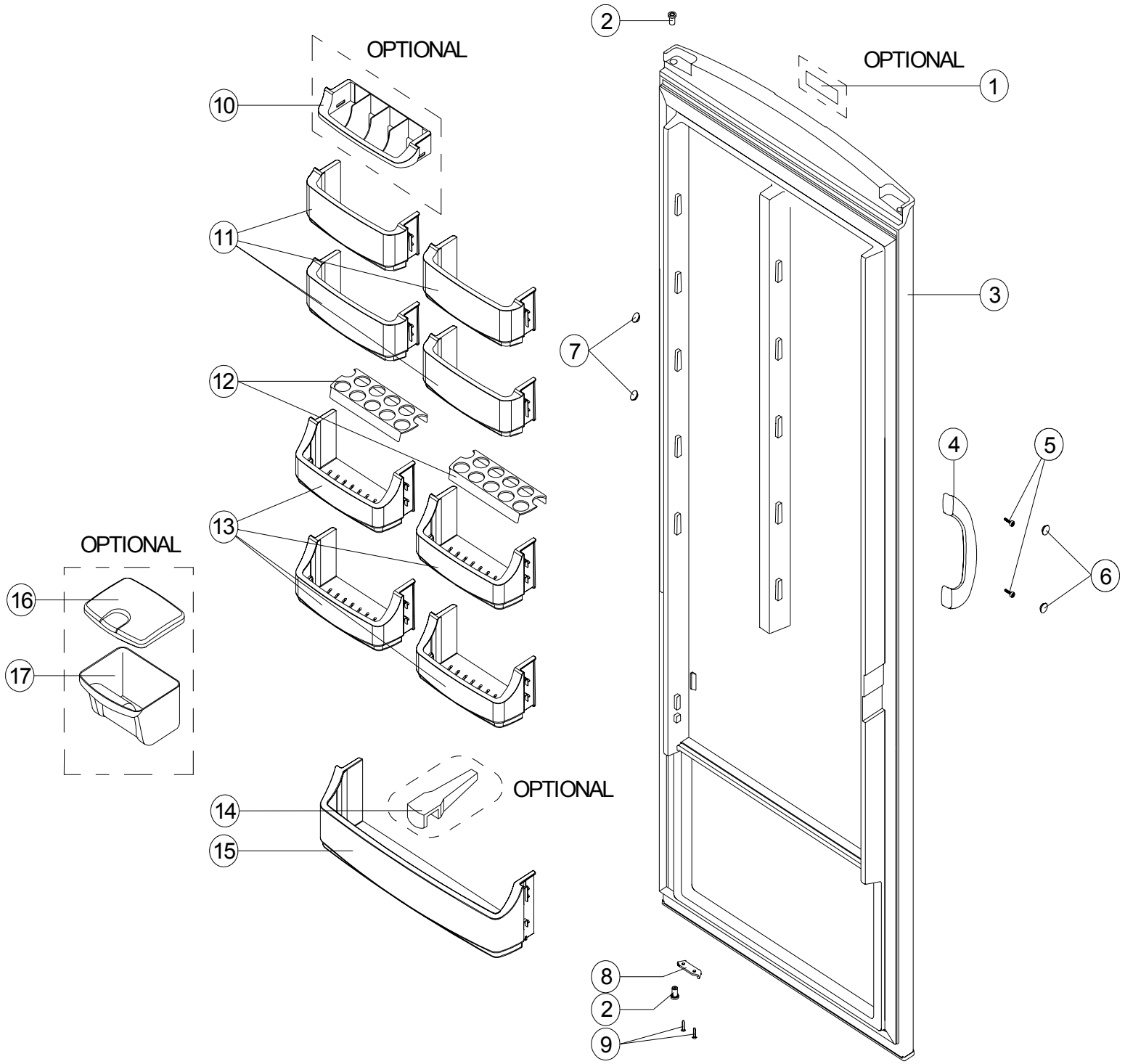
**Note :**

\*\*\* F Door Gr/425 (15.A) is used for products that are produced before 13.11.2003  
 \*\*\* F Door Gr/425 (STR) (15.B) is used for products that are produced after 13.11.2003

<b>VESTEL WHITE GOODS</b>	<b>VESTEL REFRIGERATOR</b>	<b>CUSTOMER SUPPORT</b>
	<b>INTERIOR PARTS LIST</b>	

<b>NO</b>	<b>PART NAME</b>
1	ASSY URT CAB/425
2	HEAD PANEL ASSY/455
3	SCREW 4.2*9.5 DIN 7981 YSB
4	TOP HINGE DYED/345
5	SCREW M5*14 WN 1342-H EJOT
6	HEAD PANEL CAP (RIGHT)
7	HEAD PANEL CAP (LEFT)
8	DOOR LAMP SWITCH
9	TUNNEL DRAIN PLUG
10	BOTTOM HINGE/425
11	STATIONARY FOOT
12	KICK PLATE HOLDER
13	SCREW 3.5*13 DIN 7981 YSB
14	KICK PLATE
15.A	F DOOR GR/425
15.B	F DOOR GR/425 (STR)
16	F DOOR GASKET/425
17	F DOOR BACK/425 (STR)
18	F DOOR PAD/425
19	F DOOR FRONT/425 (STR)
20	F DOOR HANDLE ASSY
21	F DOOR LOCK INDICATOR COVER/340
22	F DOOR HANDLE
23	F DOOR LOCK
24	F DOOR SPRING
25	F DOOR HINGE
26	SCREW KA 40*18 WN 1411(INOX ) EJOT
27	F DOOR HINGE COVER
28	F DOOR HOLDER
29	SCREW PLS KA 40*13(INOX-S.UÇ)SUS 430
30	CAP SMALL
31	ICE SCRAPER (OPTIONAL)
32	ICE TRAY (OPTIONAL)
33	REFRIGERATOR COMPARTMENT SHELF/455
34	REFRIGERATOR COMPARTMENT SHELF TRIM/455
35	MAGIC SHELF/455
36	MAGIC SHELF TRIM/455
37	CRISPER COVER/425
38	CRISPER COVER TRIM/425
39	CRISPER
40	THERMOSTAT BOX GR.
41	HEAT REFLECTOR FOIL
42	THERMOSTAT BOX SWITCH (OPTIONAL)
43	LAMP (E14/220-240V/15W)
44	LAMP HOLDER-E14
45	WIRING ASSY./THERMOSTAT
46	THERMOSTAT
47	THERMOSTAT BOX
48	SCREW KA 40*14 WN 1411(INOX)EJOT
49	THERMOSTAT KNOB SPRING
50	THERMOSTAT KNOB
51	LAMP COVER
52	MEAT TRAY COVER (OPTIONAL)
53	MEAT TRAY (OPTIONAL)

<b>VESTEL</b> WHITE GOODS	<b>VESTEL REFRIGERATOR</b>	<b>CUSTOMER</b> <b>SUPPORT</b>
	<b>DOOR ASSY. PARTS</b>	



<b>VESTEL WHITE GOODS</b>	<b>VESTEL REFRIGERATOR</b>	<b>CUSTOMER SUPPORT</b>
	<b>DOOR ASSY. PARTS LIST</b>	

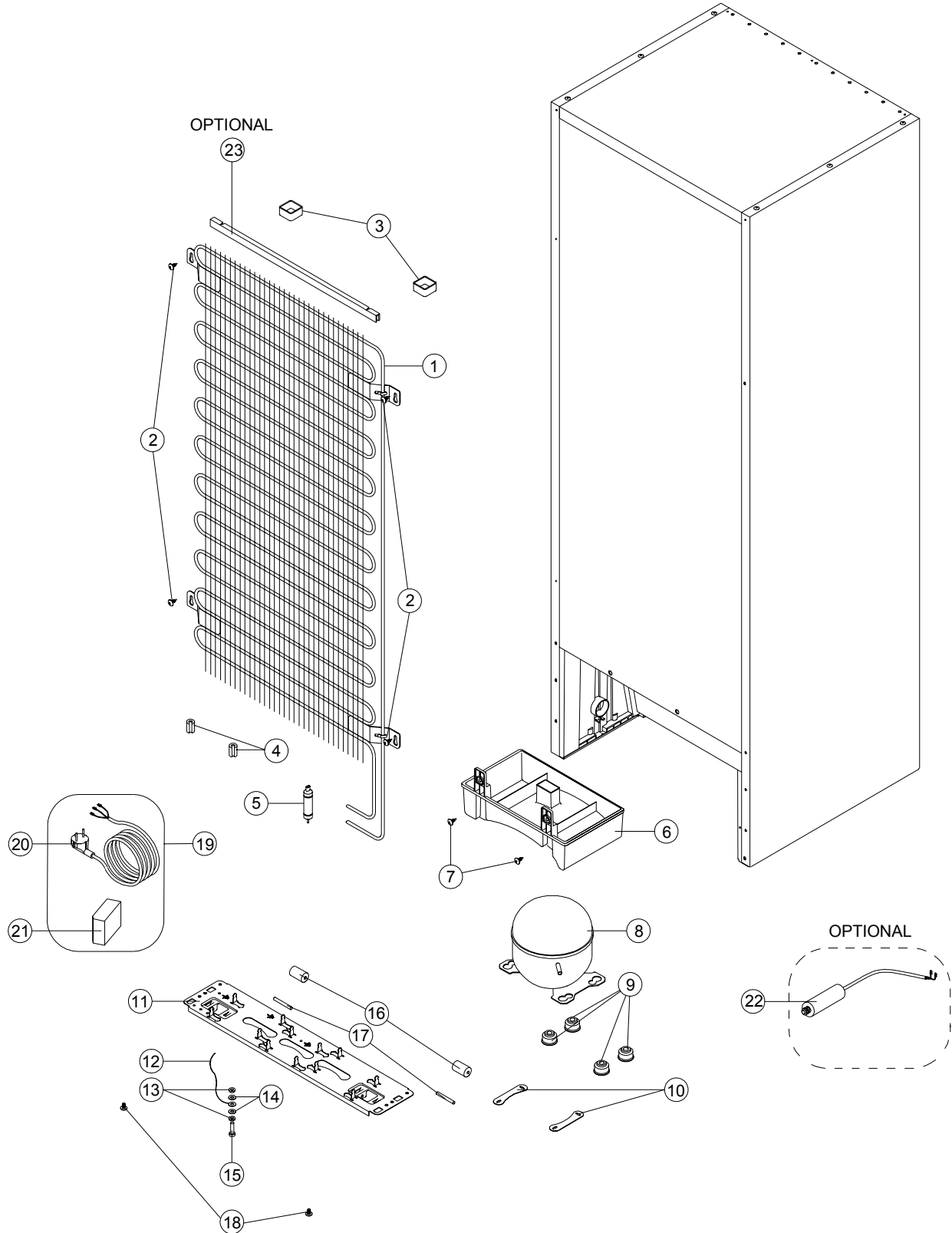
<b>NO</b>	<b>PART NAME</b>
1	LOGO (OPTIONAL)
2	BUSHING/345P
3	DOOR ASSY/425
4	HANDLE CLASSIC (USE FOR CLASSIC DOOR)
5	SCREW M4*13 BN30-12-110 YSB PFL-BETZER (USE FOR CLASSIC DOOR DESIGN)
6	PLUG D10 (USE FOR CLASSIC DOOR DESIGN)
7	CAP SMALL (USE FOR CLASSIC DOOR DESIGN)
8	R DOOR STOPPER
9	SCREW M5*14 WN 1342-H EJOT
10	SHELF SEPERATOR/425
11	SMALL SHELF/425
12	EGG HOLDER(I+II)455
13	EGG SHELF/455
14	BOTTLE HOLDER (OPTIONAL)
15	BOTTLE SHELF/455
16	AROMA BOX COVER (OPTIONAL)
17	AROMA BOX (OPTIONAL)

**VESTEL**  
**WHITE GOODS**

**VESTEL REFRIGERATOR**

**CUSTOMER**  
**SUPPORT**

**UNIT PARTS**



<b>VESTEL</b> <b>WHITE GOODS</b>	<b>VESTEL REFRIGERATOR</b>	<b>CUSTOMER</b> <b>SUPPORT</b>
	<b>UNIT PARTS LIST</b>	

<b>NO</b>	<b>PART NAME</b>
1	MAIN CONDANSER/425
2	SCREW 4.2*9.5 WITH WASHER
3	SPACER
4	ANTI-VIBRATION (COND.)
5	DRYER (XH9,10GR)
6	EVAPORATING TRAY/345
7	SCREW 4.2*9.5 DIN 7981 YSB
8	COMPRESSOR
9	COMPRESSOR RUBBER
10	COMPRESSOR FIXING BRACKET
11	COMPRESSOR BASEMENT/425
12	GROUNDING WIRE
13	NUT M4*3.2 DIN 934 ZNK
14	WASHER 4.3*8*0.9 DIN 6798 ZNK
15	SCREW M4*16 DIN 933 ZNK
16	WHEEL
17	REAR WHEEL PIN
18	SCREW KA 50*14 WN 1412 EJOT
19	POWER CORD GROUP
20	POWER CORD
21	OVER LOAD RELAY
22	CAPACITOR (OPTIONAL)
23	CONDENSER TRIM (OPTIONAL)